



DATE	
PROJECT	
TYPE	
NOTE	
PREPARED BY	

## MD-CLP-336AL

## Medium Architectural LED area light fixture



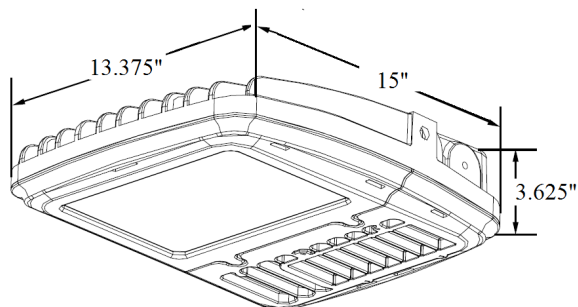
Architectural LED area light fixture, suitable for wet locations. Perfect for lighting up residential exteriors, walkways, entry ways, perimeters, storage areas, school campuses, Industrial/commercial spaces, parking lots, recreational parks. This fixture has a wide light distribution. Comes with a 5 year/50,000 hour limited warranty.

### FEATURES

- Energy Savings: Over 66% compared to HID light sources
- Improved lumen maintenance
- Utilizes high efficient Phillips Lumiled LED's
- Operating temperatures: -30°C ~ 60°C
- Driver: Constant current, 120-277v, 50/60Hz, 480v (Optional)
- Suitable for wet locations
- Dimming, occupancy sensors, photo cell and wireless controls capable (optional)
- Operating Life: >60,000 hours

### CONSTRUCTION

- Housing is heavy-duty die-cast aluminum & hinged front door frame.
- 1/2" Coin plugs with O-rings for conduit, sensors or photo cell
- Powder coat bronze finish (standard) various colors available (custom).
- Clear glass lens standard, prismatic glass lens optional
- Silicone gasket to prevent leakage and provide weather-tight protection.
- Mounting: Mounts directly onto a flat poles, optional round pole or wall mount adapters available



Model Number	INPUT POWER	DELIVERED LUMENS	COLOR TEMP (CCT)	CRI	RATED LIFE (L70)	INPUT VOLTAGE	INPUT FREQUENCY	HID Equivalent
MD-CLP-336AL-80CLED	85W	12,170	5000K	70+	>200,000	120-277V	50/60HZ	400w MH
MD-CLP-336AL-100CLED	105W	14,550	5000K	70+	>200,000	120-277V	50/60HZ	400w PSMH
MD-CLP-336AL-120CLED	125W	16,830	5000K	70+	>200,000	120-277V	50/60HZ	400w HPS
MD-CLP-336AL-150CLED	155w	20,068	5000K	70+	>200,000	120-277V	50/60HZ	400w HPS

### Ordering Guide

Example: (MD-CLP-336AL-100CLED-50-MV-E-SF-BZ-OCC)

MODEL	WATTS	COLOR TEMP	VOLTAGE	OPTICS	MOUNTING	FINISH	OPTIONS
MD-CLP-336AL	80W-80CLED 100W-100CLED 120W-120CLED 150W-150CLED	27-2700K 30-3000K 35-3500K 40-4000K 50-5000K 57-5700K 65-6500K	MV=120-277V 480-480V	A=24° B=50° C=78° D=TYPE II E=TYPE III F=TYPE IV G=TYPE V	KHA=Kitty Hawk Arm SF= Slip fitter MA= Mounting Arm Adapter LY= Large Yoke SY= Small Yoke EH=Easy-Hang Wall Bracket NM=No Mount	BZ- BRONZE GRY-GRAY BLK-BLACK WH- WHITE CUS-CUSTOM	OCC= MOTION SENSOR PC=BUTTON PHOTO CELL R3=3 Pin twist lock Photo cell R7=7 Pin Receptacle ANSI C-136.41-2013 EMR= EMR BATTERY GS= GLARE SHIELD PG= PRISMATIC GLASS WC=WIRELESS CONTROL

Crystal Lighting Corporation - 13182 Flores St., Santa Fe Springs, Ca. 90670

Phone: 562-944-0223 - Fax: 562-944-0225 - WEB: [www.crystallighting.us](http://www.crystallighting.us)

Crystal Lighting is BUY AMERICAN compliant - All products are proudly manufactured and/or assembled in the USA