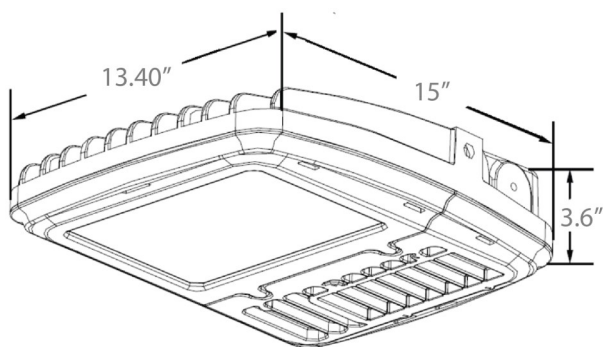


DATE	
PROJECT	
TYPE	
NOTE	
PREPARED BY	

## MD-CLP-336FAL

## Medium Architectural LED area light fixture



Architectural LED area light fixture, suitable for wet locations. Perfect for lighting up residential exteriors, walkways, entry ways, perimeters, storage areas, school campuses, Industrial/commercial spaces, parking lots, recreational parks. This fixture has a wide light distribution. Comes with a 5 year/50,000 hour limited warranty.

### FEATURES

- Energy Savings: Over 66% compared to HID light sources
- Improved lumen maintenance
- Utilizes high efficient Phillips Lumiled LED's
- Operating temperatures: -30°C ~ 60°C
- Driver: Constant current, 120-277v, 50/60Hz, 480v (Optional)
- Suitable for wet locations
- Dimming, occupancy sensors, photo cell and wireless controls capable (optional)
- Operating Life: >200,000 hours

### CONSTRUCTION

- Housing is heavy-duty die-cast aluminum & hinged front door frame.
- 1/2" Coin plugs with O-rings for conduit, sensors or photo cell
- Powder coat bronze finish (standard) various colors available (custom).
- Clear glass lens standard, prismatic glass lens optional
- Silicone gasket to prevent leakage and provide weather-tight protection.
- Mounting: Mounts directly onto a flat poles, optional round pole or wall mount adapters available



Buy American Compliant

Model Number	INPUT POWER	LUMEN OUTPUT	COLOR TEMP (CCT)	CRI	RATED LIFE (L70)	INPUT VOLTAGE	INPUT FREQUENCY	HID Equivalent
MD-CLP-336FAL-80CLED	85W	12,170	5000K	70+	>200,000	120-277V	50/60HZ	400w MH
MD-CLP-336FAL-100CLED	105W	14,550	5000K	70+	>200,000	120-277V	50/60HZ	400w PSMH
MD-CLP-336FAL-120CLED	125W	16,830	5000K	70+	>200,000	120-277V	50/60HZ	400w HPS
MD-CLP-336FAL-150CLED	155w	20,068	5000K	70+	>200,000	120-277V	50/60HZ	750w PSMH

### Ordering Guide

Example: (MD-CLP-336FAL-100CLED-50-MV-3-SF-BZ-WC)

MODEL	WATTS	COLOR TEMP	VOLTAGE	OPTICS	MOUNTING	FINISH	OPTIONS
MD-CLP-336FAL	80W-80CLED	27-2700K	MV=120-277V	A- 24°	KHA- Kitty Hawk Arm	BZ- BRONZE	OCC— Motion Sensor
	100W-100CLED	30-3000K	480-480V	B- 50°	SF- Slip Fitter	GRY-GRAY	PC—Button Photo Cell
	120W-120CLED	35-3500K		C- 78°	MA- Mounting Arm Adapter	BLK-BLACK	R3—3 Pin Twist Photo Cell
	150W-150CLED	40-4000K		D- TYPE II	LY- Large Yoke	WH- WHITE	R7—7 Pin Receptacle ANSI
		50-5000K		E- TYPE III	SY- Small Yoke	CUS-CUSTOM	EMR—Emergency battery backup
		57-5700K		F- TYPE IV	EH- Easy Hang Wall Bracket		GS—Glare shield
		65-6500K		G- TYPE V	NM- No Mount		WC—Wireless controls
							PG—Prismatic glass