



CRYSTAL SIGNATURE
CRYSTAL SIGNATURE

DATE	
PROJECT	
TYPE	
NOTE	
PREPARED BY	

SLA-2101

Large Exterior Wall LED Area Light Fixture



The **SLA-2101** is an elegant and sophisticated light fixture that delivers strong luminosity. It is suitable for wet locations and ideal locations such as: residential exteriors, walkways, perimeter, school campuses, commercial spaces, shopping centers, recreational parks, and other outside locations. The **SLA-2101** is internally efficient by providing an L70 rating of 200,000 hours. This fixture dispenses a wide light distribution and is dark sky compliant. Investing in a **SLA-2101** includes with a 10 year/100,000 hour limited warranty.

FEATURES

- Energy Savings: Over 66% compared to HID light sources
- Improved lumen maintenance
- Utilizes high efficient Phillips Lumiled LED's
- Operating temperatures: -30°C ~ 60°C
- Driver: Philips constant current, 120-277v, 50/60Hz, 480v (Optional)
- Suitable for wet locations
- Standard dimming
- Occupancy sensors, photo cell and wireless controls capable (optional)
- Operating Life: >200,000 hours

CONSTRUCTION

- Housing is heavy-duty die-cast aluminum & spun aluminum materials
- Powder coat bronze finish (standard) various colors available (custom).
- Lens options: glass, acrylic, polycarbonate, opal (add'l charge)
- Silicone gasket to prevent leakage and provide weather-tight protection.
- Mounting: Mounts to a 4" wall-mounted J-Box

OPTIONS

- (OCC) Motion sensor
- (PC) Button photo cell
- (WC) Wireless controls

LENS OPTIONS

- (NL) No lens (standard)
- (ACR) Acrylic
- (PC) Polycarbonate
- (OA) Opal



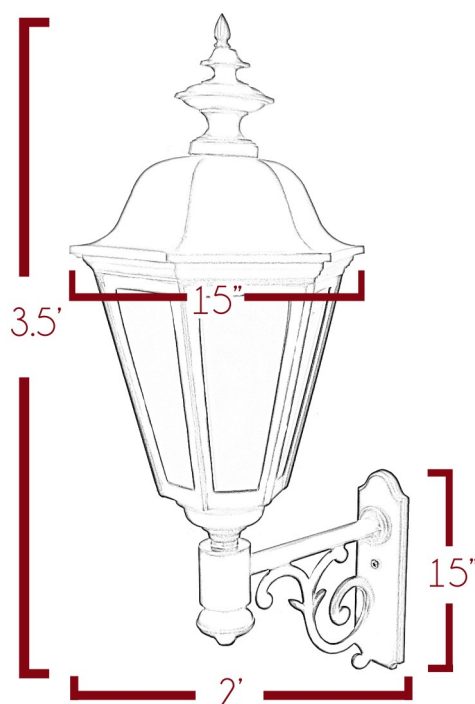
Model Number	INPUT POWER	LUMEN OUTPUT	SCOPTIC	COLOR TEMP (CCT)	CRI	RATED LIFE (L70)	INPUT VOLTAGE	INPUT FREQUENCY	HID Equivalent
SLA-2101-20CLED	25W	2,752	4,541	5000K	70+	>200,000	120-277V	50/60HZ	100w MH
SLA-2101-30CLED	35W	4,128	6,811	5000K	70+	>200,000	120-277V	50/60HZ	150w MH
SLA-2101-40CLED	45W	5,504	9,082	5000K	70+	>200,000	120-277V	50/60HZ	175w MH
SLA-2101-50CLED	55W	6,880	11,352	5000K	70+	>200,000	120-277V	50/60HZ	250w MH
SLA-2101-80CLED	85W	11,008	18,163	5000K	70+	>200,000	120-277V	50/60HZ	250w HPS
SLA-2101-100CLED	105W	11,926	19,678	5000K	70+	>200,000	120-277V	50/60HZ	400w PSMH

Crystal Lighting Corporation - 13182 Flores St., Santa Fe Springs, Ca. 90670

Phone: 562-944-0223 - Fax: 562-944-0225 - WEB: www.crystallighting.us

Crystal Lighting is BUY AMERICAN compliant - All products are proudly manufactured and/or assembled in the USA

Dimensions



Ordering Guide

Ordering Guide Example: (SLA-2101-40CLED-50-MV-BZ-WC-PC)

SLA-2101						
MODEL	WATTS	COLOR TEMP	VOLTAGE	FINISH	OPTIONS	LENS OPTIONS
SLA-2101	20W-20CLED 30W-30CLED 40W-40CLED 50W-50CLED 60W-60CLED 80W-80CLED 105W-100CLED	27-2700K 30-3000K 35-3500K 40-4000K 50-5000K 57-5700K 65-6500K	MV=120-277V 480-480V	<u>STANDARD:</u> BZ- BRONZE <u>ADD'L CHARGE:</u> GRY-GRAY BLK-BLACK WH- WHITE CUS-CUSTOM	OCC- MOTION SENSOR PC- BUTTON PHOTO CELL WC- WIRELESS CONTROL	<u>STANDARD:</u> NL- NO LENS <u>ADD'L CHARGE:</u> GL-GLASS AL-ACRYLIC LENS PC-POLYCARBONATE OA-OPAL ACRYLIC

Crystal Lighting Corporation - 13182 Flores St., Santa Fe Springs, Ca. 90670

Phone: 562-944-0223 - Fax: 562-944-0225 - WEB: www.crystallighting.us

Crystal Lighting is BUY AMERICAN compliant - All products are proudly manufactured and/or assembled in the USA