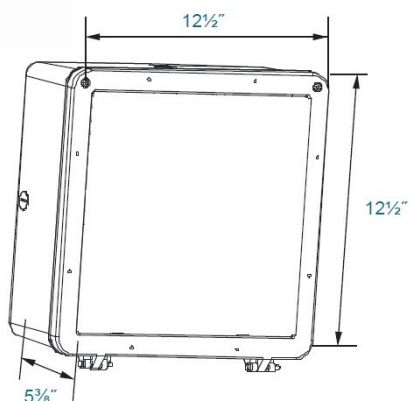




DATE	
PROJECT	
TYPE	
NOTE	
PREPARED BY	

## SM-CLP-3040

## 12" LED AREA/FLOOD LIGHT SHOE BOX



12" LED area or flood fixture, suitable for wet locations. Perfect for lighting up residential exteriors, walkways, entry ways, perimeters, storage areas, parking garages, school campuses, Industrial/commercial spaces, wall washer, parking lots, recreational parks. This fixture has a wide light distribution. Comes with a 5 year/50,000 hour limited warranty.

### FEATURES

- Energy Savings: Over 66% compared to HID light sources
- Improved lumen maintenance
- Utilizes high efficient Phillips Lumiled LED's
- Operating temperatures: -30°C ~ 60°C
- Driver: Constant current, 120-277v, 50/60Hz, 480v (Optional)
- Suitable for wet locations
- Dimming, occupancy sensors, photo cell and wireless controls capable (optional)
- Operating Life: >60,000 hours

### CONSTRUCTION

- Housing is heavy-duty die-cast aluminum & hinged front door frame.
- 1/2" Coin plugs with O-rings for conduit, sensors or photo cell
- Powder coat bronze finish (standard) various colors available (custom).
- Clear prismatic polycarbonate lens
- Silicone gasket to prevent leakage and provide weather-tight protection.
- Mounting: Mount with Extruded Mounting Arms or Direct Pole Mount Arm

### OPTIONS

- (OCC) Motion sensor
- (PC) Button photo cell
- (EMR) Emergency battery backup
- (GS) Glare shield
- (AEA) Adjustable extruded arm
- (EA6) 6" extruded arm
- (EA10) 10" extruded arm
- (EA12) 12" extruded arm
- (EA18) 18" extruded arm
- (SF) slip fitter
- (SB) Swivel Bracket
- (EAWM) extruded arm wall mount



Model Number	INPUT POWER	LUMEN OUTPUT	SCOPTIC	COLOR TEMP (CCT)	CRI	RATED LIFE (L70)	INPUT VOLTAGE	INPUT FREQUENCY	HID Equivalent
SM-CLP-3040-5CLED	7W	757	1,211	5000K	70+	>200,000	120-277V	50/60HZ	35w HPS
SM-CLP-3040-10CLED	12W	1,376	2,201	5000K	70+	>200,000	120-277V	50/60HZ	50w HPS
SM-CLP-3040-15CLED	20W	1,918	3,068	5000K	70+	>200,000	120-277V	50/60HZ	70w HPS
SM-CLP-3040-20CLED	25W	2,752	4,403	5000K	70+	>200,000	120-277V	50/60HZ	100w MH
SM-CLP-3040-30CLED	35W	4,128	6,604	5000K	70+	>200,000	120-277V	50/60HZ	150w MH
SM-CLP-3040-40CLED	45W	5,504	8,806	5000K	70+	>200,000	120-277V	50/60HZ	175w MH

### Ordering Guide

Example: (SM-CLP-3040-40CLED-50-MV-BZ-SB-WC)

MODEL	WATTS	COLOR TEMP	VOLTAGE	FINISH	MOUNTING	OPTIONS
SM-CLP-3040	5W-5CLED 10W-10CLED 15W-15CLED 20W-20CLED 30W-30CLED 40W-40CLED	27-2700K 30-3000K 35-3500K 40-4000K <b>50-5000K</b> 57-5700K 65-6500K	MV=120-277V 480-480V	BZ- BRONZE GRY-GRAY BLK-BLACK WH- WHITE CUS-CUSTOM	AEA-ADJUSTABLE EXTRUDED ARM EA6- 6" EXTRUDED ARM EA10- 10" EXTRUDED ARM EA12-12" EXTRUDED ARM SF- SLIP FITTER SB- SWIVEL BRACKET EAWM-EXTRUDED ARM WALL MOUNT	OCC- MOTION SENSOR PC- BUTTON PHOTO CELL EMR- EMR BATTERY GS- GLARE SHIELD WC- WIRELESS CONTROL

Crystal Lighting Corporation - 13182 Flores St., Santa Fe Springs, Ca. 90670

Phone: 562-944-0223 - Fax: 562-944-0225 - WEB: [www.crystallighting.us](http://www.crystallighting.us)

Crystal Lighting is BUY AMERICAN compliant - All products are proudly manufactured and/or assembled in the USA