

| | |
|-------------|--|
| DATE | |
| PROJECT | |
| TYPE | |
| NOTE | |
| PREPARED BY | |

SM-CLW-307WP

Curved semi cut off LED wallpack

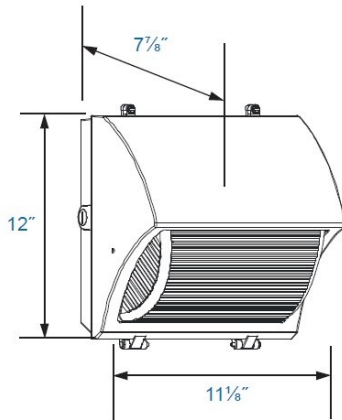
Small curved semi cut off LED wall pack fixture, suitable for wet locations, Perfect for lighting up residential exteriors, walkways, entry ways, perimeters, parking garages, school campuses, industrial/commercial spaces. This fixture has a wide rectangular light distribution. Comes with a 5 year/50,000 hour limited warranty.

FEATURES

- Energy Savings: Over 66% compared to HID light sources
- Improved lumen maintenance
- Utilizes high efficient Phillips Lumiled LED's
- Operating temperatures: -30°C ~ 60°C
- Driver: Constant current, 120-277v, 50/60Hz, 480v (Optional)
- Suitable for wet locations
- Dimming, occupancy sensors, photo cell capable (optional)
- Operating Life: >60,000 hours

CONSTRUCTION

- Housing is heavy-duty die-cast aluminum
- 1/2" Coin plugs with O-rings for conduit, sensors or photo cell
- Powder coat **bronze finish (standard)** various colors available (custom).
- Prismatic borosilicate glass lens
- Silicone gasket to prevent leakage and provide weather-tight protection.
- Mounting: Cast-in Template for Mounting Directly Over a 4" Recessed Outlet Box or use 1/2" Surface Conduit



OPTIONS

- (OCC) Motion sensor
- (PC) Button photo cell
- (EMR) Emergency battery backup
- (WG) Wire guard stainless steel
- (WC) Wireless controls



| Model Number | INPUT POWER | LUMEN OUTPUT | SCOPTIC | COLOR TEMP (CCT) | CRI | RATED LIFE (L70) | INPUT VOLTAGE | INPUT FREQUENCY | HID Equivalent |
|---------------------|-------------|--------------|---------|------------------|-----|------------------|---------------|-----------------|----------------|
| SM-CLW-307WP-5CLED | 7W | 757 | 1,211 | 5000K | 70+ | >200,000 | 120-277V | 50/60HZ | 35w HPS |
| SM-CLW-307WP-10CLED | 12W | 1,376 | 2,201 | 5000K | 70+ | >200,000 | 120-277V | 50/60HZ | 50w HPS |
| SM-CLW-307WP-15CLED | 20W | 1,918 | 3,068 | 5000K | 70+ | >200,000 | 120-277V | 50/60HZ | 70w HPS |
| SM-CLW-307WP-21CLED | 25W | 3,102 | 4,963 | 5000K | 70+ | >200,000 | 120-277V | 50/60HZ | 100w HPS |
| SM-CLW-307WP-40CLED | 45W | 5,504 | 8,806 | 5000K | 70+ | >200,000 | 120-277V | 50/60HZ | 150w HPS |

Ordering Guide

Example: (SM-CLW-307WP-40CLED-50-MV-BZ-MS)

| SM-CLW-307WP | | | | | |
|--------------|--|--|-------------------------|--|---|
| MODEL | WATTS | COLOR TEMP | VOLTAGE | FINISH | OPTIONS |
| SM-CLW-307WP | 5W-5CLED 10W-10CLED 15W-15CLED 21W-21CLED 40W-40CLED | 27-2700K 30-3000K 35-3500K 40-4000K 50-5000K 57-5700K 65-6500K | MV=120-277V 480-480V | BZ- BRONZE GRY-GRAY BLK-BLACK WH- WHITE CUS-CUSTOM | OCC- MOTION SENSOR PC- BUTTON PHOTOCCELL EMR- EMR BATTERY WG- WIRE GUARD WC- WIRELESS CONTROL |

Crystal Lighting Corporation - 13182 Flores St., Santa Fe Springs, Ca. 90670

Phone: 562-944-0223 - Fax: 562-944-0225 - WEB: www.crystallighting.us

Crystal Lighting is BUY AMERICAN compliant - All products are proudly manufactured and/or assembled in the USA