

DATE	
PROJECT	
TYPE	
NOTE	
PREPARED BY	

## VL-A-HB

## Industrial LED high bay light fixture



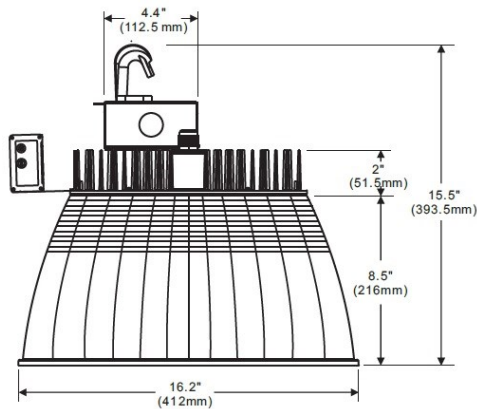
Industrial LED high bay fixture, suitable for dry locations, designed to mount on ceilings under 20 ft. heights in factories, foundries, machines shops, warehouse, large retail stores, gymnasiums and indoor sport arenas. This fixture has a wide light distribution. Comes with a 5 year/50,000 hour limited warranty.

### FEATURES

- Energy Savings: Over 66% compared to HID light sources
- Improved lumen maintenance
- Utilizes high efficient LED's
- Operating temperatures: -30°C ~ 60°C
- Driver: Constant current, 120-277v, 50/60Hz, 480v (Optional)
- Suitable for wet locations
- Dimming, occupancy sensors, photo cell capable (optional)
- Operating Life: >150,000 hours

### CONSTRUCTION

- Housing is heavy-duty die-cast aluminum backing and spun aluminum
- Comes with hook to hang from eye loops, chains, etc.
- Powder coat **white finish (standard)** various colors available (custom).
- Tempered glass lens (**OPTIONAL**)
- Silicone gasket to prevent leakage and provide weather-tight protection.
- Mounting: Hook to hang from ceiling



### OPTIONS

- (OCC) Motion sensor
- (EMR) Emergency battery backup
- (GL) Glass Lens
- (3PC) 3 prong cord
- (L5-15P) 120v twist lock plug 3' cord
- (L6-15P) 240v twist lock plug 3' cord
- (L7-15P) 277v twist lock plug 3' cord



Model Number	INPUT POWER	LUMEN OUTPUT	COLOR TEMP (CCT)	CRI	RATED LIFE (L70)	INPUT VOLTAGE	INPUT FREQUENCY	HID Equivalent
VL-A-HB-115LED	115W	13,950	5000K	70+	>150,000	120~277V	50/60 HZ	250W MH
VL-A-HB-161LED	161W	17,929	5000K	70+	>150,000	120~277V	50/60 HZ	250W MH
VL-A-HB-215LED	215W	26,433	5000K	70+	>150,000	120~277V	50/60 HZ	400W MH

## Ordering Guide

Example: (VL-A-HB-215LED-50-MV-WH-OCC)

VL-A-HB					
MODEL	WATTS	COLOR TEMP	VOLTAGE	FINISH	OPTIONS
VL-A-HB	215W-215LED	50-5000K	MV=120-277V 480=480V	BZ- BRONZE GRY-GRAY BLK-BLACK WH- WHITE CUS-CUSTOM	OCC- MOTION SENSOR EMR- EMR BATTERY GL- GLASS LENS 3PC- 3 prong cord L5-15P- 120v twist lock plug 3' cord L6-15P- 240v twist lock plug 3' cord L7-15P- 277v twist lock plug 3' cord