



VL-AL55Q

LED Area Light



The **VL-AL55Q** ensures powerful luminosity and provides security for any given location. It is constructed with robust die cast aluminum and given a tempered clear flat lens. This area light is most competent in locations such as: outdoor parking areas, school perimeters, and public transportation locations. The **VL-AL55Q** offers competitive pricing and includes a 5 year warranty.

FEATURES

- Starting Temperature: -40°C ~ 50°C
- CRI: 80+
- Color temp: 5000K
- Driver: Constant current, 120~277V
- Operating life: >50,000 hours
- 5 year warranty

CONSTRUCTION

- Die-cast aluminum body
- Bronze finish (standard)
- Clear prismatic array lens to seal LED array
- Mounting: Slipfitter

OPTIONS

- SF- Single Fuse
- DF- Double Fuse
- SP- Surge Protection
- PC-Photo Cell

MODEL #	SYSTEM INPUT POWER	OPTICS	DELIVERED LUMENS	COLOR TEMP (CCT)	CRI	RATED LIFE (L70)	INPUT VOLTAGE	INPUT FREQUENCY
VL-AL55Q-524LED	568W	TYPE I	61,088	5000K	80+	>50,000	120~277V	50/60Hz
		TYPE III	58,998					
		TYPE V	52,528					

Ordering Guide

Example: VL-AL55Q-524LED-50-MV-BZ-SF

VL-AL55Q

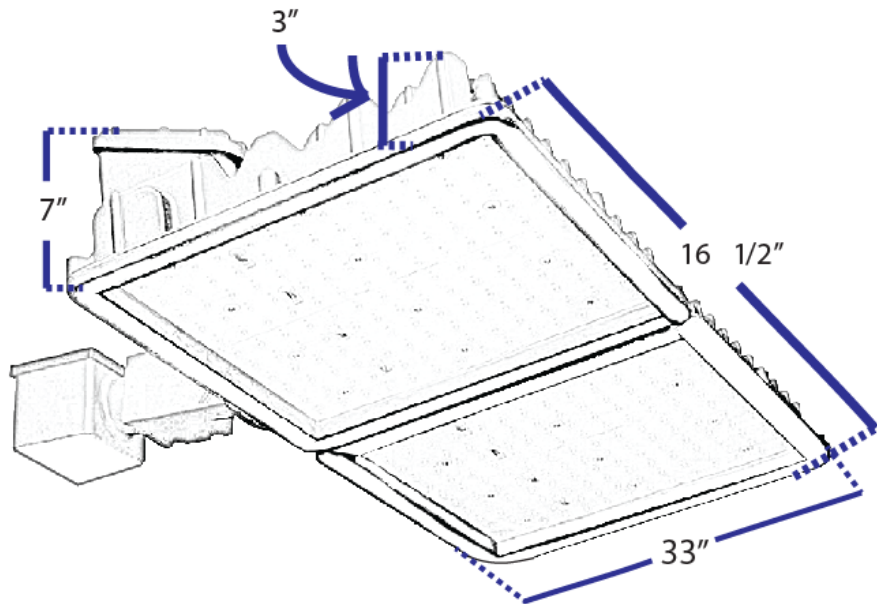
MODEL	WATTS	COLOR TEMP	LENS	VOLTAGE	FINISH	OPTIONS
VL-AL55Q	524W-524LED	40-4000K	Clear Flat Glass	MV—120~277V	BZ-BRONZE	SF— SINGLE FUSE DF— DOUBLE FUSE SP— SURGE PROTECTION PC— PHOTO CELL
		50-5000K	Prismatic Glass Lens*	347/480V		

Crystal Lighting Corporation - 13182 Flores St., Santa Fe Springs, Ca. 90670

Phone: 562-944-0223 - Fax: 562-944-0225 - WEB: www.crystallighting.us

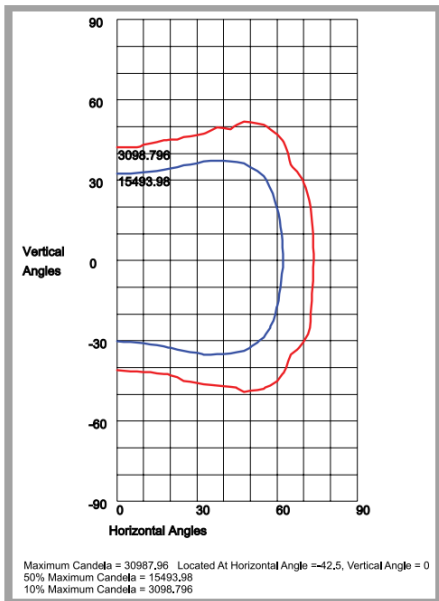
Crystal Lighting is BUY AMERICAN compliant - All products are proudly manufactured and/or assembled in the USA

Dimensions

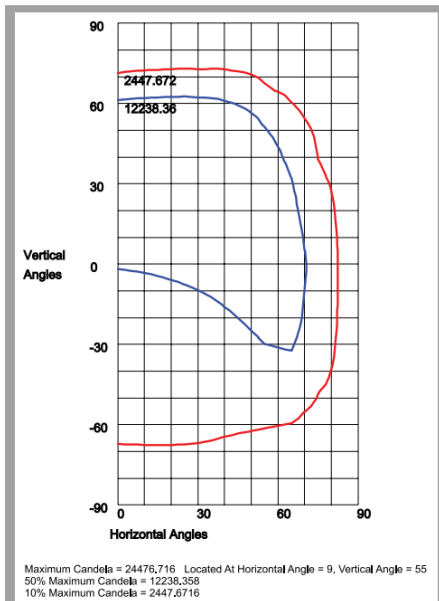


Photometry

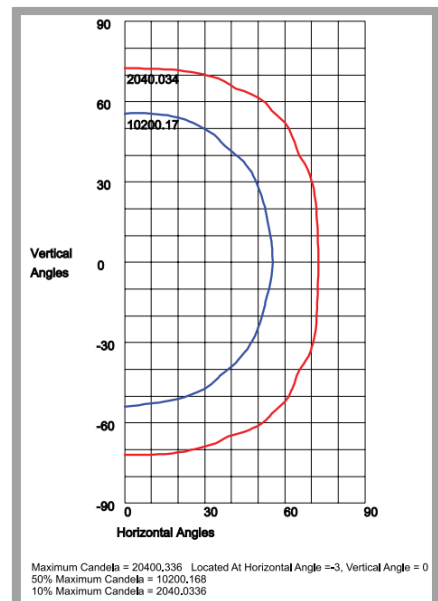
TYPE II



TYPE III



TYPE V



Performance Data

LED Board Watts	Drive Current (mA)	System Wattage	Distribution Type	5000K; 80 CRI		4000K; 80 CRI	
				Lumens	Lumens p/ Watt	Lumens	Lumens p/ Watt
2 x 262w	525	568	Type II	60,569	107	55,421	98
			Type III	58,279	103	53,325	94
			Type V	52,258	92	47,816	84