



DATE	
PROJECT	
TYPE	
NOTE	
PREPARED BY	

VL-FUSE

LED Highbay



The energy efficient LED light fixture, **VL-FUSE** is durable, reliant and provides powerful luminosity. It is ideal for: gymnasiums, factories, and grocery stores. The **VL-FUSE** offers competitive pricing and includes a 3 year warranty.

FEATURES

- CRI: 70+
- -34.4°C ~ 48.9°C
- UL & CUL listed for wet locations
- IP rating: IP44
- Driver: Constant current, 120~277V
- Operating life: >100,000 hours

CONSTRUCTION

- Die-cast aluminum body
- Aluminum and acrylic reflector
- 3 in 1 dimming function
- Powder coat black finish (standard)

OPTIONS

- (OCC) Motion Sensor

MODEL #	INPUT POWER	DELIVERED LUMENS	SCOTOPIC	COLOR TEMP (CCT)	CRI	RATED LIFE (L70)	INPUT VOLTAGE	INPUT FREQUENCY
VL-FUSE-100LED	100W	11,800	19,470	5000K	70+	>100,000	120~277V	50/60Hz
VL-FUSE-150LED	150W	17,500	28,875	5000K	70+	>100,000	120~277V	50/60Hz
VL-FUSE-240LED	240W	25,000	41,250	5000K	70+	>100,000	120~277V	50/60Hz

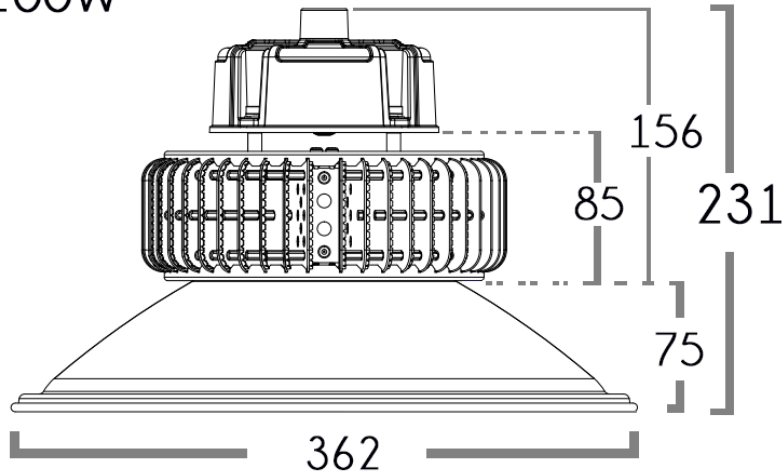
Ordering Guide

Example: VL-FUSE-150LED-50-MV-BLK-OCC

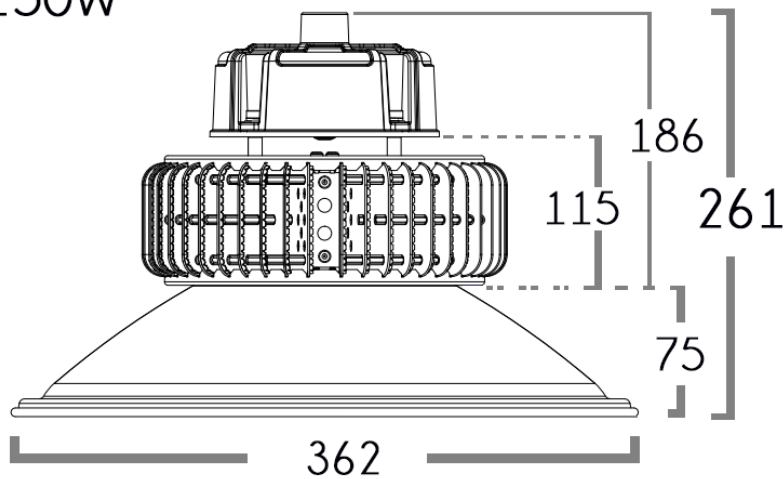
VL-FUSE					
MODEL	WATTS	COLOR TEMP	VOLTAGE	FINISH	OPTIONS
VL-FUSE	100W-100LED	50-5000K	MV-120~277V	BLK-BLACK	Add'l Cost:
	150W-150LED				OCC- MOTION SENSOR
	240W-240LED				

Dimensions

100W



150W



240W

