



DATE	
PROJECT	
TYPE	
NOTE	
PREPARED BY	

VL-SHOEBOX

LED Area and Roadway Light Fixture



The energy efficient LED light fixture, **VL-SHOEBOX**, dispenses uniform light distribution in any location with minimum power. It is ideal for locations such as parking areas, entrances, walkways, underpasses and roadways. This durable and reliable light fixture is equipped with a patented centerpiece that is designed to maximize heat dissipation from the LED light engine. The **VL-SHOEBOX** offers competitive pricing and includes a 5 year warranty.

FEATURES

- Starting Temperature: -40°C
- UL & CUL listed for wet locations
- Driver: Constant current, 120-277v
- Operating life: >50,000 hours
- 5 year warranty

OPTIONS

- (SF) Slip Fitter
- (PM) Pole Mount 6"
- (PM) Pole Mount 10"
- (SB) Swivel Bracket

CONSTRUCTION

- Housing is heavy-duty die-cast aluminum, corrosion resistant hardware
- Powder coat bronze finish (standard)
- Heat and tempered resistant tempered glass
- Gasket included to prevent any leakage from the outside



SWIVEL BRACKET



SLIP FITTER



POLE MOUNT

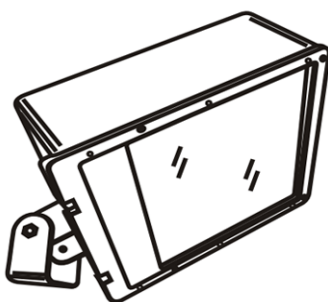
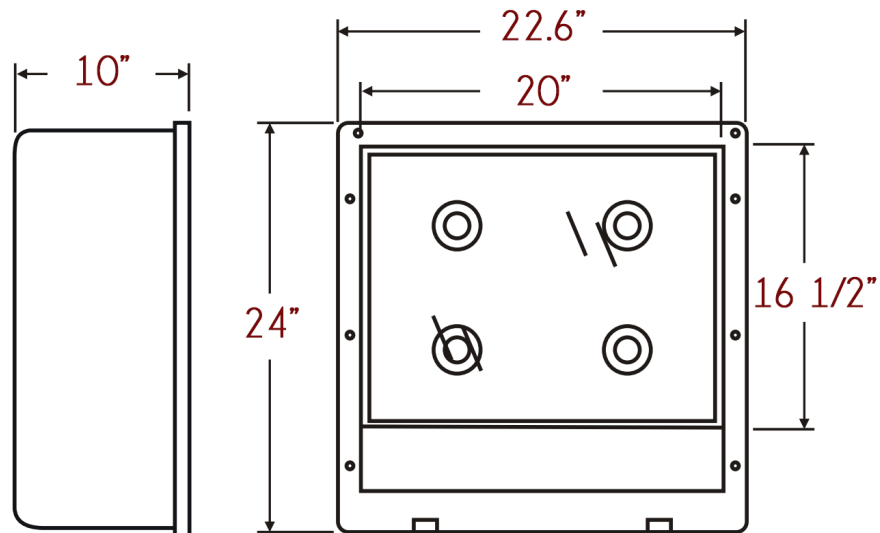
MODEL #	INPUT POWER	LUMEN OUTPUT	SCOTOPIC	COLOR TEMP (CCT)	CRI	RATED LIFE (L70)	INPUT VOLTAGE	INPUT FREQUENCY	HID EQUIVALENT
VL-SHOEBOX-250LED	250W	30,986	51,127	5000K	70+	>50,000	120-277v	50/60Hz	1000w MH

Ordering Guide

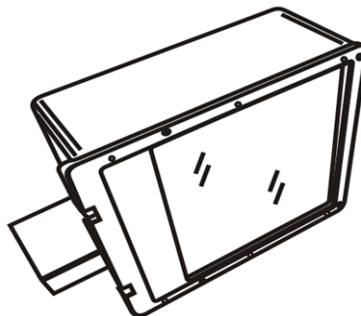
Example: VL-SHOEBOX-250LED-50-MV-BZ-PM6

VL-SHOEBOX					
MODEL	WATTS	COLOR TEMP	VOLTAGE	FINISH	OPTIONS
VL-SHOEBOX	250W-250LED	50-5000K	MV=120-277V	BZ- BRONZE	PM-POLE MOUNT (6") PM-POLE MOUNT (10") SB-WIVEL BRACKET SF-SLIP FITTER

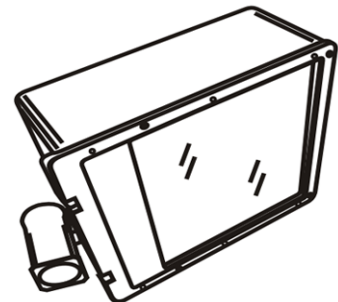
Dimensions



Yoke



Pole Mount



Slip Fitter