



DATE	
PROJECT	
TYPE	
NOTE	
PREPARED BY	

VL-WPR250FQ

Round Open Frame Bulkhead

The Round Bulkhead is designed to replace HID lighting systems up to 100w MH or PS. The open door frame allows for maximum light output. Typical applications include office and public buildings, condominiums, schools, shopping malls, and hospitality. Recommended mounting heights are 8 to 20 feet.



Specifications and Features:

Housing:

Die Cast Gasketed Aluminum Open Front Frame and Housing with Integral Heat Sinking and Driver Compartment. Nickel-Plated Stainless Steel Hardware. Photocell Adaptable.

Listing & Ratings:

CSA: Listed for Wet Locations, ANSI/UL 1598, 8750
IP65 Sealed LED Compartment.

Finish:

Textured Architectural Bronze Powdercoat Finish Over a Chromate Conversion Coating. Custom Colors Available Upon Request.

Lens:

LumaLens Polycarbonate Opal Lens Eliminates LED Hot Spots.

Mounting Options:

Surface Mount

EasyLED LED:

Aluminum Boards

Wattage:

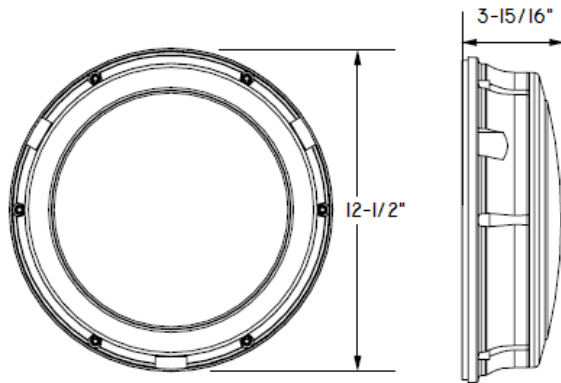
Array: 17w, System: 19.7w
(100w HID Equivalent)

Driver:

Electronic Driver, 120-277V, 50/60Hz; Less Than 20% THD and PF>0.90. Standard Internal Surge Protection 2kV. 0-10V Dimming Standard for a Dimming Range of 100% to 10%; Dimming Source Current is 150 Microamps.

Warranty:

5-Year Warranty for -40°C to +50°C Environment.



Options:
EMR: Battery Backup, Provides 90 Minutes of Backup Power.
PC: 110-277V Button Photocell
OCC: Microwave Sensor w/Dimming (Internal), for Mounting Heights of 15ft or Less

LED Wattage	Drive Current (mA)	Input Watts	Optics	5000k CCT 80 CRI					4000k CCT 80 CRI					3000k CCT 80 CRI				
				Lumens	LPW	B	U	G	Lumens	LPW	B	U	G	Lumens	LPW	B	U	G
17W	525mA	20	Type IV	2,323	116	1	1	0	2,230	112	1	1	0	2,056	103	1	1	0

Crystal Lighting Corporation - 13182 Flores St., Santa Fe Springs, Ca. 90670

Phone: 562-944-0223 - Fax: 562-944-0225 - WEB: www.crystallighting.us

Crystal Lighting is BUY AMERICAN compliant - All products are proudly manufactured and/or assembled in the USA