



DATE	
PROJECT	
TYPE	
NOTE	
PREPARED BY	

CL-FLL400

LED Flood Light

The **CL-FLL400** is strongly built with robust die cast aluminum and with a chip and fade resistant powder coat. It is suitable for various outdoor environments. The **CL-FLL400** is commonly ideal for: parking areas, entrances, walkways, pathways and underpasses. The **CL-FLL400** offers competitive pricing and includes a 3 year warranty.



FEATURES

- Starting Temperature: -30°C ~ 60°C
- IP66, rated outdoor use
- 4000K
- 120V
- Operating life: >50,000 hours
- 3 year warranty

CONSTRUCTION

- Die cast aluminum
- Tempered glass lens w/ stainless steel hardware
- Chip and fade resistant powder coat bronze (standard) finish

MODEL #	INPUT POWER	LUMEN OUTPUT	SCOTOPIC	COLOR TEMP (CCT)	CRI	RATED LIFE (L70)	INPUT VOLTAGE	INPUT FREQUENCY
CL-FLL400-114LED	114W	11,717	19,333	4000K	70	>50,000	120V	50/60 Hz
CL-FLL400-152LED	152W	18,774	25,598	4000K	70	>50,000	120V	50/60 Hz

Crystal Lighting Corporation - 13182 Flores St., Santa Fe Springs, Ca. 90670

Phone: 562-944-0223 - Fax: 562-944-0225 - WEB: www.crystallighting.us

Crystal Lighting is BUY AMERICAN compliant - All products are proudly manufactured and/or assembled in the USA

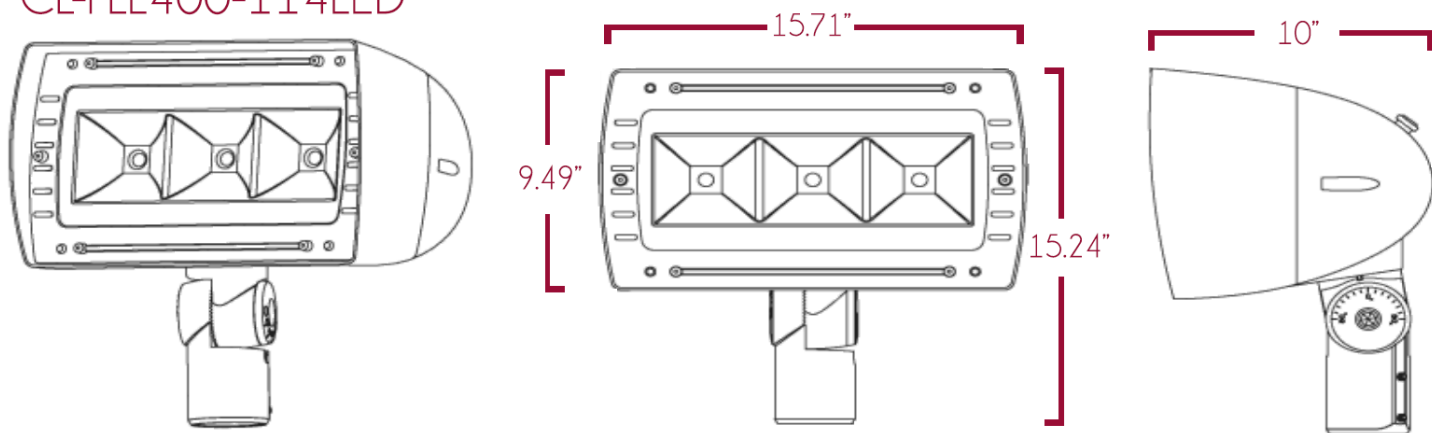
Ordering Guide

Example: CL-FLL400-114LED-40-SF-120V-BZ

CL-FLL400					
MODEL	WATTS	COLOR TEMP	MOUNTING	VOLTAGE	FINISH
CL-FLL400	114W-114LED 152W-152LED	40-4000K	SF-SLIP FITTER	120V	BZ-BRONZE

Dimensions

CL-FLL400-114LED



CL-FLL400-152LED

