



DATE	
PROJECT	
TYPE	
NOTE	
PREPARED BY	

CL-WPL300

LED Wall Pack



The **CL-WPL300** is strongly built with robust die cast aluminum. The powder coat finish on this fixture is chip and fade resistant. It is suitable for various outdoor environments. To further emphasize, a few locations that are ideal for the **CL-WPL300** are: wall parking areas, entrances, walkways, underpasses, etc. The **CL-WPL300** offers competitive pricing and includes a 3 year warranty.

FEATURES

- Starting Temperature: -30°C ~ 60°C
- IP65, rated outdoor use
- 4000K
- 120~277V
- Operating life: >50,000 hours
- 3 year warranty

CONSTRUCTION

- Die cast aluminum
- Stainless steel hardware
- Tempered glass lens
- Bronze finish (standard)



MODEL #	INPUT POWER	LUMEN OUTPUT	SCOTOPIC	COLOR TEMP (CCT)	CRI	RATED LIFE (L70)	INPUT VOLTAGE	INPUT FREQUENCY
CL-WPL300-100LED	100W	10,660	17,589	4000K	70	>50,000	120~277V	50/60 Hz
CL-WPL300-114LED	114W	12,095	19,957	4000K	70	>50,000	120~277V	50/60 Hz

Crystal Lighting Corporation - 13182 Flores St., Santa Fe Springs, Ca. 90670

Phone: 562-944-0223 - Fax: 562-944-0225 - WEB: www.crystallighting.us

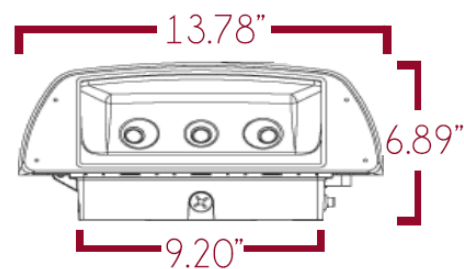
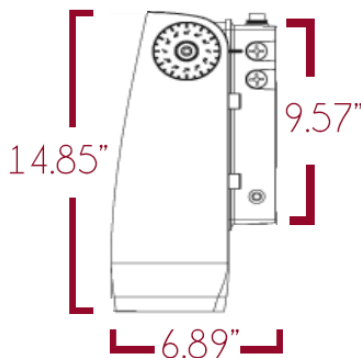
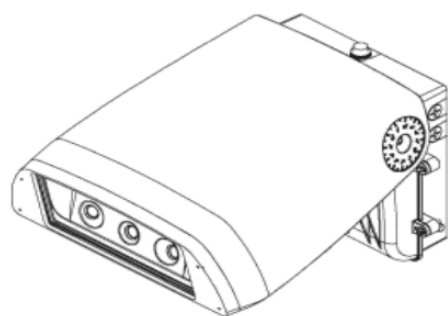
Crystal Lighting is BUY AMERICAN compliant - All products are proudly manufactured and/or assembled in the USA

Ordering Guide

Example: CL-WPL300-100LED-40-JB-120V-BZ

CL-WPL300					
MODEL	WATTS	COLOR TEMP	MOUNTING	VOLTAGE	FINISH
CL-WPL300	100W-100LED 114W-114LED	40-4000K	JB-JUNCTION BOX	120-277V	BZ-BRONZE

Dimensions



Crystal Lighting Corporation - 13182 Flores St., Santa Fe Springs, Ca. 90670

Phone: 562-944-0223 - Fax: 562-944-0225 - WEB: www.crystallighting.us

Crystal Lighting is BUY AMERICAN compliant - All products are proudly manufactured and/or assembled in the USA