



DATE	
PROJECT	
TYPE	
NOTE	
PREPARED BY	

## CLC-331SM

## 15" LED garage light fixture



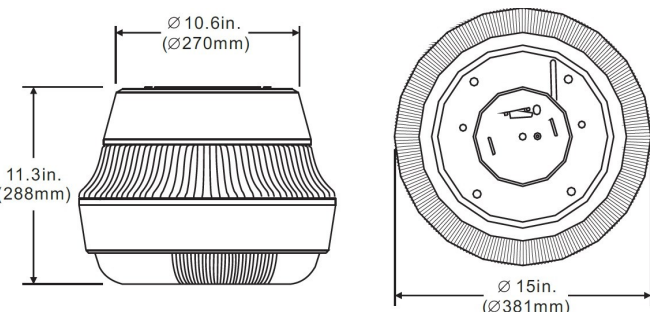
15" LED garage light fixture, suitable for wet locations, Perfect for lighting up underpasses, hallways, entry ways, storage areas, parking garages, loading docks, Industrial/commercial spaces. This fixture has a wide light distribution. Comes with a 5 year/50,000 hour limited warranty.

### FEATURES

- Energy Savings: Over 66% compared to HID light sources
- Improved lumen maintenance
- Utilizes high efficient Phillips Lumiled LED's
- Operating temperatures: -30°C ~ 60°C
- Driver: Constant current, 120-277v, 50/60Hz, 480v (Optional)
- Suitable for wet locations
- Dimming, occupancy sensors, photo cell capable (optional)
- Operating Life: >60,000 hours

### CONSTRUCTION

- Housing is heavy-duty die-cast aluminum backing
- 1/2" Coin plugs with O-rings for conduit, sensors or photo cell
- Powder coat **white finish (standard)** various colors available (custom).
- Clear prismatic polycarbonate lens
- Silicone gasket to prevent leakage and provide weather-tight protection.
- Mounting: Cast-in Template for Mounting Directly Over a 4" Recessed Outlet Box or use 1/2" Surface Conduit



### OPTIONS

- (OCC) Motion sensor
- (PC) Button photo cell
- (EMR) Emergency battery backup
- (QM) Hinged Quick-Mount Bracket, Stamped Steel, Mount Over Recessed Electrical Box, or Use 3/4" NPS Down-rod for Pendant Mounting



PHILIPS  
LUMILEDS

Buy American Compliant

Model Number	INPUT POWER	LUMEN OUTPUT	SCOPTIC	COLOR TEMP (CCT)	CRI	RATED LIFE (L70)	INPUT VOLTAGE	INPUT FREQUENCY	HID Equivalent
CLC-331SM-10CLED	12W	1,376	2,201	5000K	70+	>200,000	120-277V	50/60HZ	50w HPS
CLC-331SM-30CLED	29W	2,374	3,799	5000K	70+	>200,000	120-277V	50/60HZ	100w HPS
CLC-331SM-40CLED	45W	3,500	5,600	5000K	70+	>200,000	120-277V	50/60HZ	150w MH
CLC-331SM-50CLED	55W	4,300	6,880	5000K	70+	>200,000	120-277V	50/60HZ	150w HPS
CLC-331SM-60CLED	65W	4,942	7,950	5000K	70+	>200,000	120-277V	50/60HZ	250w PS

### Ordering Guide

Example: (CLC-331SM-40CLED-50-MV-BZ-PC)

CLC-331SM					
MODEL	WATTS	COLOR TEMP	VOLTAGE	FINISH	OPTIONS
CLC-331SM	10W-10CLED 30W-30CLED <b>40W-40CLED</b> 50W-50CLED 60W-60CLED	27-2700K 30-3000K 35-3500K 40-4000K <b>50-5000K</b> 57-5700K 65-6500K	MV=120-277V 480-480V	Standard: WH-WHITE  Custom: BZ- BRONZE GRY-GRAY  BLK-BLACK CUS-CUSTOM	OCC- MOTION SENSOR PC- BUTTON PHOTOCELL EMR- EMR BATTERY <b>QM-QUICK MOUNT</b>

Crystal Lighting Corporation - 13182 Flores St., Santa Fe Springs, Ca. 90670

Phone: 562-944-0223 - Fax: 562-944-0225 - WEB: www.crystallighting.us

Crystal Lighting is BUY AMERICAN compliant - All products are proudly manufactured and/or assembled in the USA