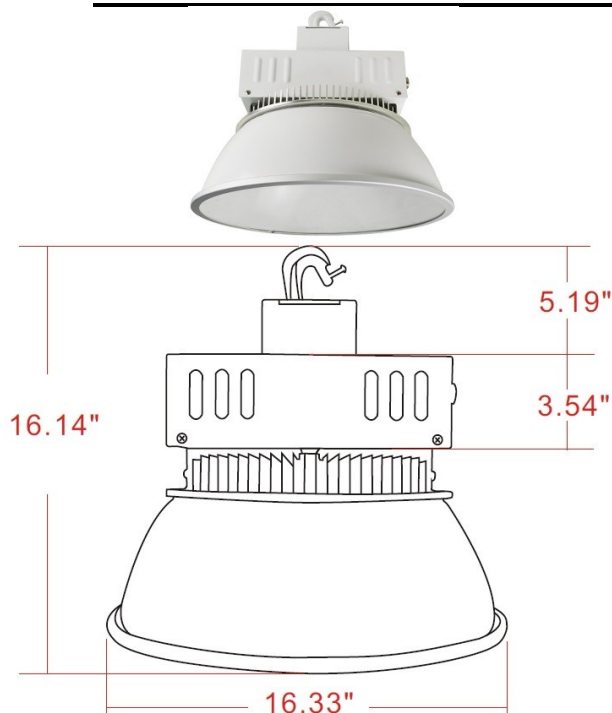


DATE	
PROJECT	
TYPE	
NOTE	
PREPARED BY	

CLC-334HB

Industrial LED high bay light fixture

Industrial LED high bay fixture, suitable for dry locations, designed to mount on ceilings over 20 ft. heights in factories, foundries, machines shops, warehouse, large retail stores, gymnasiums and indoor sport arenas. This fixture has a wide light distribution. Comes with a 5 year/50,000 hour limited warranty.



FEATURES

- Energy Savings: Over 66% compared to HID light sources
- Improved lumen maintenance
- Utilizes high efficient LED's
- Operating temperatures: -30°C ~ 60°C
- Driver: Constant current, 120-277v, 50/60Hz, 480v (Optional)
- Suitable for damp locations
- Dimming, occupancy sensors, photo cell capable (optional)
- Operating Life: >60,000 hours

CONSTRUCTION

- Housing is heavy-duty die-cast aluminum backing and spun aluminum
- Comes with hook to hang from eye loops, chains, etc.
- Powder coat **white finish (standard)** various colors available (custom).
- Tempered glass lens (**optional**)
- Silicone gasket to prevent leakage and provide weather-tight protection.
- Mounting: Hook to hang from ceiling

OPTIONS

- (OCC) Motion sensor
- (EMR) Emergency battery backup
- (GL) Glass Lens
- (3PC) 3 prong cord
- (L5-15P) 120v twist lock plug 3' cord
- (L6-15P) 240v twist lock plug 3' cord
- (L7-15P) 277v twist lock plug 3' cord



Wireless Controls Available

Model Number	INPUT POWER	LUMEN OUTPUT	SCOPTIC	COLOR TEMP (CCT)	CRI	RATED LIFE (L70)	INPUT VOLTAGE	INPUT FREQUENCY	HID Equivalent
CLC-334HB-115LED	115W	12,201	19,521	5000K	70+	>200,000	120-277V	50/60HZ	250w HPS

Ordering Guide

Example: (CLC-334HB-115LED-50-MV-WH-OCC)

CLC-334HB	MODEL	WATTS	COLOR TEMP	VOLTAGE	FINISH	OPTIONS
CLC-334HB	CLC-334HB	115W-115LED	50-5000K	MV=120-277V 347=347V 480=480V	BZ- BRONZE GRY-GRAY BLK-BLACK WH- WHITE CUS-CUSTOM	OCC- MOTION SENSOR EMR- EMR BATTERY GL- GLASS LENS 3PC- 3 prong cord L5-15P- 120v twist lock plug 3' cord L6-15P- 240v twist lock plug 3' cord L7-15P- 277v twist lock plug 3' cord

Crystal Lighting Corporation - 13182 Flores St., Santa Fe Springs, Ca. 90670

Phone: 562-944-0223 - Fax: 562-944-0225 - WEB: www.crystallighting.us

Crystal Lighting is BUY AMERICAN compliant - All products are proudly manufactured and/or assembled in the USA