

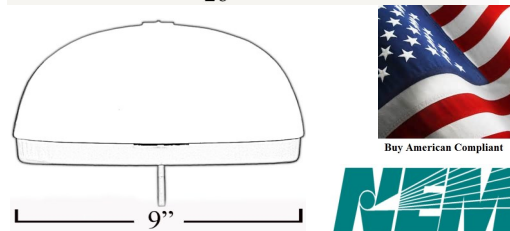
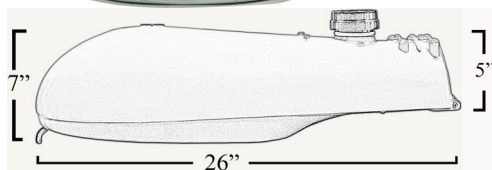


DATE	
PROJECT	
TYPE	
NOTE	
PREPARED BY	

CLP-CH29

LED Street Light Fixture

The CLP-CH29 is an LED street light fixture, designed to tolerate any wet location. This fixture comes in multiple lumen packages and is mainly installed in residential streets or large roadways. The CLP-CH29 gives designers flexibility with (4) different light distributions to make sure we position the light where you need it. One of its greatest highlights is the fact that this street light sports a 94% efficiency performance. In thus, we have provided a 10 year warranty along with your investment.



FEATURES

- Life Rating: L70 Rating 200,000 hours
- Over 60% energy savings
- IP Rating: LED Module IP67 Rating, suitable for wet locations
- Light output: 5000k, 70 CRI
- Voltage: Standard 120-277v, 480v optional
- Protection: Built-in Phillips 10KV surge protector
- Applications: Area light, street light, roadways
- Warranty: 10 year warranty
- Full cut off- meets Dark Sky compliant

CONSTRUCTION

- Construction: Die Cast Aluminum housing, silicon high performance optics
- Housing is heavy-duty die-cast aluminum
- Tilt-Ready- +/- 5° Tilt Built-in
- Grey powder coat finish (standard) various colors available (custom)
- Accessibility-Easy Tool-less entry/access to LED driver.
- Silicone gasket to prevent leakage and provide weather-tight protection.
- Mounting: Mounts to 1-1/4" to 2" (1-5/8" to 2-3/8") mast arm
- Built-in terminal block



Model Number	INPUT POWER	LUMEN OUTPUT	SCOTOPIC	COLOR TEMP (CCT)	CRI	RATED LIFE (L70)	INPUT VOLTAGE	INPUT FREQUENCY	HID Equivalent
CLP-CH29-40CLED	45W	4,287	7,074	5000K	70+	>200,000	120-277v	50/60HZ	175w MH
CLP-CH29-50CLED	55W	5,360	8,844	5000K	70+	>200,000	120-277v	50/60Hz	175w HPS
CLP-CH29-60CLED	65W	6,432	10,612	5000K	70+	>200,000	120-277v	50/60Hz	250w MH
CLP-CH29-80CLED	85W	8,574	14,147	5000K	70+	>200,000	120-277v	50/60Hz	250w HPS
CLP-CH29-100CLED	105W	10,720	17,688	5000K	70+	>200,000	120-277v	50/60Hz	320w PSMH
CLP-CH29-120CLED	125W	12,864	21,226	5000K	70+	>200,000	120-277v	50/60 Hz	400w MH
CLP-CH29-150CLED	155W	16,080	26,532	5000K	70+	>200,000	120-277v	50/60 Hz	400w HPS
CLP-CH29-180CLED	186W	19,296	31,838	5000K	70+	>200,000	120-277v	50/60 Hz	+400w HPS

Ordering Guide

Example: (CLP-CH29-40CLED-50-MV-T3-GRY-PC)

MODEL	WATTS	COLOR TEMP	VOLTAGE	DISTRIBUTION	FINISH	OPTIONS
CLP-CH29	40CLED-40W 50CLED-50W 60CLED-60W 80CLED-80W 100CLED-100W 120CLED-120W 150CLED-150W 180CLED-180W	30-3000K 40-4000K 50-5000K	MV-120-277V 480V	T2-TYPE2 T3-TYPE3 T4-TYPE4 T5-TYPE5	STANDARD FINISH: GRY-GRAY ADDITIONAL CHARGE: MG-MARINE GRADE CUS-CUSTOM	PC- PHOTO CELL HSS- HOUSE SLIDE SP- SURGE PROTECTOR 7P-7 PIN RECEPTACLE

Crystal Lighting Corporation - 13182 Flores St., Santa Fe Springs, Ca. 90670

Phone: 562-944-0223 - Fax: 562-944-0225 - WEB: www.crystallighting.us

Crystal Lighting is BUY AMERICAN compliant - All products are proudly manufactured and/or assembled in the USA

CLP-CH29

PERFORMANCE DATA

	Drive Current	System Watts	Distribution Type	3000K			4000K			5000K					
				Lumens	B	U	G	Lumens	B	U	G	Lumens	B	U	G
1 Module	700mA	40W	T2	4,785	1	0	1	4,792	1	0	1	4,792	1	0	1
			T3	4,279	1	0	1	4,286	1	0	1	4,286	1	0	1
			T4	4,388	1	0	2	4,395	1	0	2	4,395	1	0	2
			T5	4,526	3	0	1	4,533	3	0	1	4,533	3	0	1
	860mA	50W	T2	5,232	1	0	1	5,606	1	0	1	5,606	1	0	1
			T3	4,680	1	0	1	5,014	1	0	1	5,014	1	0	1
			T4	4,799	1	0	2	5,142	1	0	2	5,142	1	0	2
			T5	4,949	3	0	1	5,303	3	0	1	5,303	3	0	1
	1050mA	60W	T2	6,368	2	0	1	6,375	2	0	1	6,375	2	0	1
			T3	6,391	2	0	1	6,398	2	0	1	6,398	2	0	1
			T4	6,423	2	0	1	6,430	2	0	1	6,430	2	0	1
			T5	6,448	3	0	1	6,455	3	0	1	6,455	3	0	1
2 Modules	700mA	80W	T2	9,570	1	0	1	9,584	1	0	1	9,584	1	0	1
			T3	8,558	1	0	1	8,572	1	0	1	8,572	1	0	1
			T4	8,776	1	0	2	8,790	1	0	2	8,790	1	0	2
			T5	9,052	3	0	1	9,066	3	0	1	9,066	3	0	1
	860mA	100W	T2	10,464	1	0	1	11,212	1	0	1	11,212	1	0	1
			T3	9,360	1	0	1	10,028	1	0	1	10,028	1	0	1
			T4	9,598	1	0	2	10,284	1	0	2	10,284	1	0	2
			T5	9,898	3	0	1	10,606	3	0	1	10,606	3	0	1
	1050mA	120W	T2	12,736	2	0	1	12,750	2	0	1	12,750	2	0	1
			T3	12,782	2	0	1	12,796	2	0	1	12,796	2	0	1
			T4	12,846	2	0	1	12,860	2	0	1	12,860	2	0	1
			T5	12,896	3	0	1	12,910	3	0	1	12,910	3	0	1
3 Modules	860mA	150W	T2	15,696	1	0	1	16,818	1	0	1	16,818	1	0	1
			T3	14,040	1	0	1	15,042	1	0	1	15,042	1	0	1
			T4	14,379	1	0	2	15,426	1	0	2	15,426	1	0	2
			T5	14,847	3	0	1	15,909	3	0	1	15,909	3	0	1
	1050mA	180W	T2	19,104	1	0	1	19,125	1	0	1	19,125	1	0	1
			T3	19,173	1	0	1	19,194	1	0	1	19,194	1	0	1
			T4	19,269	1	0	2	19,290	1	0	2	19,290	1	0	2
			T5	19,344	3	0	1	19,365	3	0	1	19,365	3	0	1

CLP-CH29

PHOTOMETRY

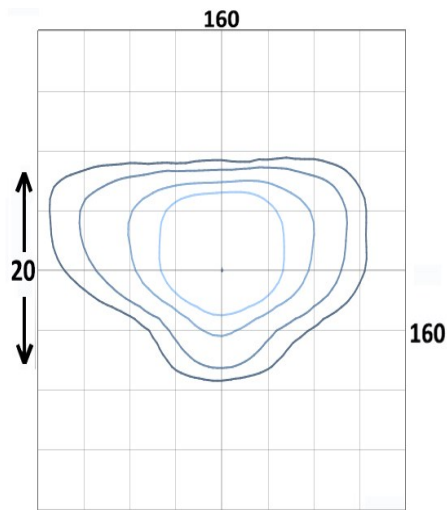
0.1

0.2

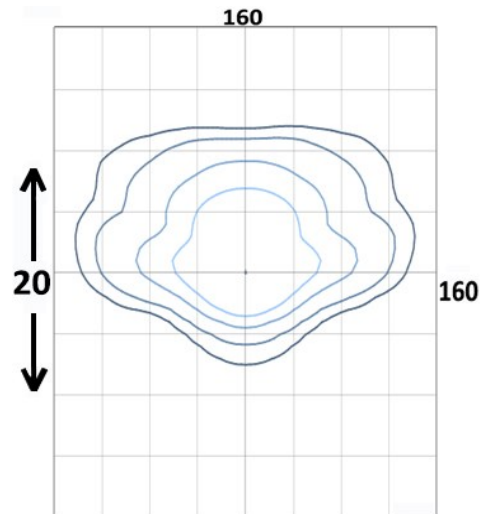
0.5

1

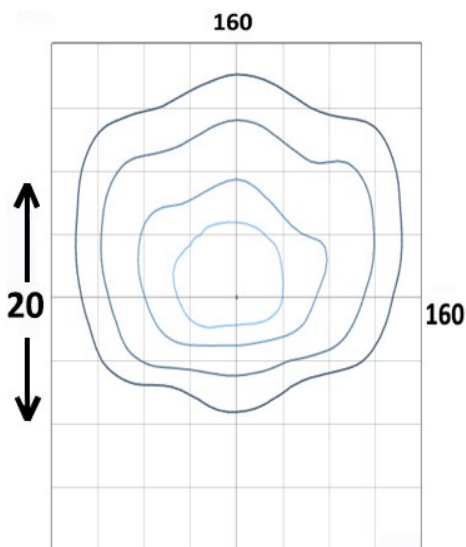
Type 2



Type 3



Type 4



Type 5

