

DATE	
PROJECT	
TYPE	
NOTE	
PREPARED BY	

## CLW-321WP

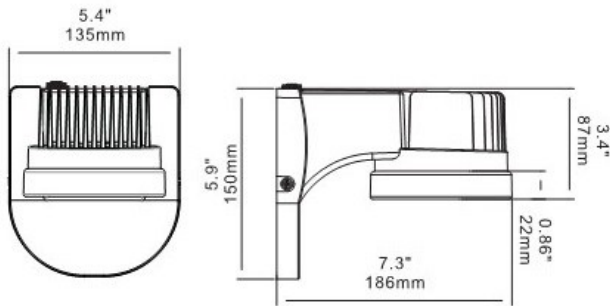
## Architectural compact LED wall light



Architectural compact LED wall pack fixture, suitable for wet locations, Perfect for lighting up residential exteriors, walkways, entry ways, perimeters, parking garages, school campuses, industrial/commercial spaces. Dark sky compliant. Comes with a 5 year/50,000 hour limited warranty.

### FEATURES

- Energy Savings: Over 66% compared to HID light sources
- Improved lumen maintenance
- Utilizes high efficient LED's
- Operating temperatures: -30°C ~ 60°C
- Driver: Constant current, 120-277v, 50/60Hz,
- Suitable for wet locations
- Dimming, occupancy sensors, photo cell capable (optional)
- Operating Life: >60,000 hours



### CONSTRUCTION

- Housing is heavy-duty die-cast aluminum
- 1/2" Coin plugs with O-rings for conduit, sensors or photo cell
- Powder coat **bronze finish (standard)** various colors available (custom).
- Polycarbonate frosted lens
- Silicone gasket to prevent leakage and provide weather-tight protection.
- Mounting: Cast-in Template for Mounting Directly Over a 4" Recessed Outlet Box or use 1/2" Surface Conduit

### OPTIONS

- (PC) Button photo cell

Model Number	INPUT POWER	Delivered Lumens	SCOPTIC	COLOR TEMP (CCT)	CRI	RATED LIFE (L70)	INPUT VOLTAGE	INPUT FREQUENCY	HID Equivalent
CLW-321WP-14LED	14W	761	1,217	5000K	70+	>200,000	120-277V	50/60HZ	35w HPS

### Ordering Guide

Example: (CLW-321WP-14LED-50-MV-BZ-PC)

CLW-321WP					
MODEL	WATTS	COLOR TEMP	VOLTAGE	FINISH	OPTIONS
CLW-321WP	14W-14LED	50-5000K	MV=120-277V	BZ- BRONZE GRY-GRAY BLK-BLACK WH- WHITE CUS-CUSTOM	PC- BUTTON PHOTO CELL