

DATE	
PROJECT	
TYPE	
NOTE	
PREPARED BY	

CLW-322WP

Architectural compact LED wall light



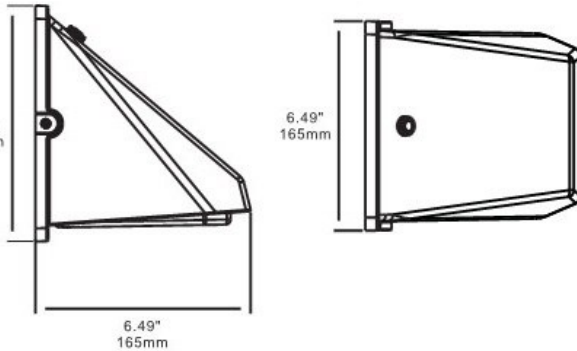
Architectural compact LED wall pack fixture, suitable for wet locations, Perfect for lighting up residential exteriors, walkways, entry ways, perimeters, parking garages, school campuses, industrial/commercial spaces. Dark sky compliant. Comes with a 5 year/50,000 hour limited warranty.

FEATURES

- Energy Savings: Over 66% compared to HID light sources
- Improved lumen maintenance
- Utilizes high efficient LED's
- Operating temperatures: -30°C ~ 60°C
- Driver: Constant current, 120-277v, 50/60Hz,
- Suitable for wet locations
- Dimming, occupancy sensors, photo cell capable (optional)
- Operating Life: >60,000 hours

CONSTRUCTION

- Housing is heavy-duty die-cast aluminum
- 1/2" Coin plugs with O-rings for conduit, sensors or photo cell
- Powder coat **bronze finish (standard)** various colors available (custom).
- Polycarbonate frosted lens
- Silicone gasket to prevent leakage and provide weather-tight protection.
- Mounting: Cast-in Template for Mounting Directly Over a 4" Recessed Outlet Box or use 1/2" Surface Conduit



OPTIONS

- (PC) Button photo cell

Model Number	INPUT POWER	Delivered Lumens	SCOPTIC	COLOR TEMP (CCT)	CRI	RATED LIFE (L70)	INPUT VOLTAGE	INPUT FREQUENCY	HID Equivalent
CLW-322WP-14LED	11W	828	1,325	5000K	70+	>200,000	120-277V	50/60HZ	35w HPS

Ordering Guide

Example: (CLW-322WP-11LED-50-MV-BZ-PC)

CLW-322WP					
MODEL	WATTS	COLOR TEMP	VOLTAGE	FINISH	OPTIONS
CLW-322WP	11W-11LED	50-5000K	MV=120-277V	BZ- BRONZE GRY-GRAY BLK-BLACK WH- WHITE CUS-CUSTOM	PC- BUTTON PHOTO CELL