

DATE	
PROJECT	
TYPE	
NOTE	
PREPARED BY	

CLW-325WP

Architectural full cut off LED wall pack



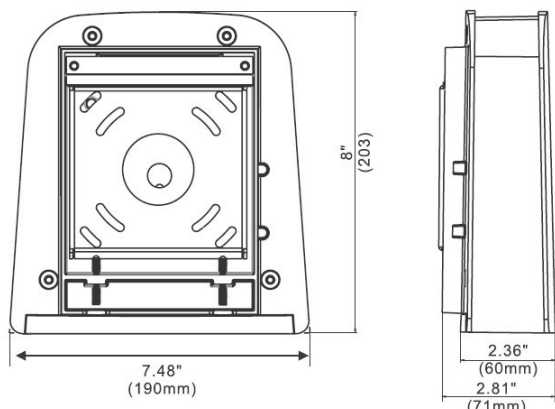
Architectural full cut off LED wall pack fixture, suitable for wet locations, Perfect for lighting up residential exteriors, walkways, entry ways, perimeters, parking garages, school campuses, industrial/commercial spaces. This fixture has a wide rectangular light distribution. Dark sky compliant and DLC listed. Comes with a 5 year/50,000 hour limited warranty.

FEATURES

- Energy Savings: Over 66% compared to HID light sources
- Improved lumen maintenance
- Utilizes high efficient LED's
- Operating temperatures: -30°C ~ 60°C
- Driver: Constant current, 120-277v, 50/60Hz, 480v (Optional)
- Suitable for wet locations
- Dimming, occupancy sensors, photo cell capable (optional)
- Operating Life: >60,000 hours

CONSTRUCTION

- Housing is heavy-duty die-cast aluminum
- 1/2" Coin plugs with O-rings for conduit, sensors or photo cell
- Powder coat **bronze finish (standard)** various colors available (custom).
- Clear polycarbonate lens
- Silicone gasket to prevent leakage and provide weather-tight protection.
- Mounting: Cast-in Template for Mounting Directly Over a 4" Recessed Outlet Box or use 1/2" Surface Conduit



OPTIONS

- (PC) Button photo cell
- (WC) Wireless Controls
- (SY) Small yoke
- (SF) Slip fitter
- (KM) Knuckle mount



Model Number	INPUT POWER	Delivered Lumens	SCOPTIC	COLOR TEMP (CCT)	CRI	RATED LIFE (L70)	INPUT VOLTAGE	INPUT FREQUENCY	HID Equivalent	DLC LISTED
CLW-325WP-20LED	20W	1,910	3,056	5000K	70+	>200,000	120-277V	50/60HZ	70w HPS	YES
CLW-325WP-40LED	40W	3,261	5,217	5000K	70+	>200,000	120-277V	50/60HZ	150w MH	YES

Ordering Guide

Example: (CLW-325WP-20LED-50-MV-BZ-WC)

CLW-325WP					
MODEL	WATTS	COLOR TEMP	VOLTAGE	FINISH	OPTIONS
CLW-325WP	20W-20LED 40W-40LED	<u>ADD'L COST:</u> 40-4000K <u>STANDARD:</u> 50-5000K	MV—120~277V 480—480V	<u>ADD'L COST:</u> GRY-GRAY BLK-BLACK WH- WHITE CUS-CUSTOM <u>STANDARD:</u> BZ- BRONZE	PC- BUTTON PHOTO CELL WC- WIRELESS CONTROL SY- SMALL YOKE SF- SLIP FITTER KM- KNUCKLE MOUNT

Crystal Lighting Corporation - 13182 Flores St., Santa Fe Springs, Ca. 90670

Phone: 562-944-0223 - Fax: 562-944-0225 - WEB: www.crystallighting.us

Crystal Lighting is BUY AMERICAN compliant - All products are proudly manufactured and/or assembled in the USA