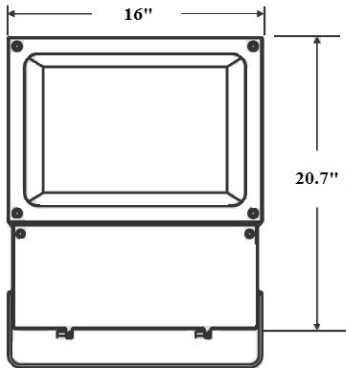


DATE	
PROJECT	
TYPE	
NOTE	
PREPARED BY	

CLW-328FL

Architectural large LED flood light



Architectural large LED flood light fixture, suitable for wet locations, Perfect for lighting up residential exteriors, walkways, entry ways, perimeters, parking garages, school campuses, industrial/commercial spaces. This fixture has a wide rectangular light distribution. Dark sky compliant. Comes with a 5 year/50,000 hour limited warranty.

FEATURES

- Energy Savings: Over 66% compared to HID light sources
- Improved lumen maintenance
- Utilizes high efficient LED's
- Operating temperatures: -30°C ~ 60°C
- Driver: Constant current, 120-277v, 50/60Hz, 480v (Optional)
- Suitable for wet locations
- Dimming, occupancy sensors, photo cell capable (optional)
- Operating Life: >60,000 hours

CONSTRUCTION

- Housing is heavy-duty die-cast aluminum
- 1/2" Coin plugs with O-rings for conduit, sensors or photo cell
- Powder coat **bronze finish (standard)** various colors available (custom).
- Clear polycarbonate lens
- Silicone gasket to prevent leakage and provide weather-tight protection.
- Mounting: Slip fitter, Yoke mount, extruded arms

OPTIONS

- (PC) Button photo cell
- (WC) Wireless Controls
- (SF) Slip fitter
- (LY) Large Yoke
- EA6- 6" extruded arm
- EA10- 10" extruded arm
- (SY) Small yoke



Model Number	INPUT POWER	Lumen Output	SCOPTIC	COLOR TEMP (CCT)	CRI	RATED LIFE (L70)	INPUT VOLTAGE	INPUT FREQUENCY	HID Equivalent	DLC LISTED
CLW-328FL-80LED	77W	8,795	14,072	5000K	70+	>200,000	120-277V	50/60HZ	100w PSMH	YES
CLW-328FL-115LED	115W	12,548	20,076	5000K	70+	>200,000	120-277V	50/60HZ	150w HPS	YES
CLW-328FL-235LED	235W	19,365	30,984	5000K	70+	>200,000	120-277V	50/60HZ	150w HPS	YES

Ordering Guide

Example: (CLW-328FL-50LED-50-MV-BZ-WC)

CLW-328FL					
MODEL	WATTS	COLOR TEMP	VOLTAGE	FINISH	OPTIONS
CLW-328FL	80w-80LED 115w-115LED 235w-235LED	50-5000K	MV=120-277V	BZ- BRONZE GRY-GRAY BLK-BLACK WH- WHITE CUS-CUSTOM	PC- BUTTON PHOTO CELL WC- WIRELESS CONTROL SF- SLIP FITTER LY- LARGE YOKE EA6- 6" EXTRUDED ARM EA10- 10" EXTRUDED ARM SY- SMALL YOKE