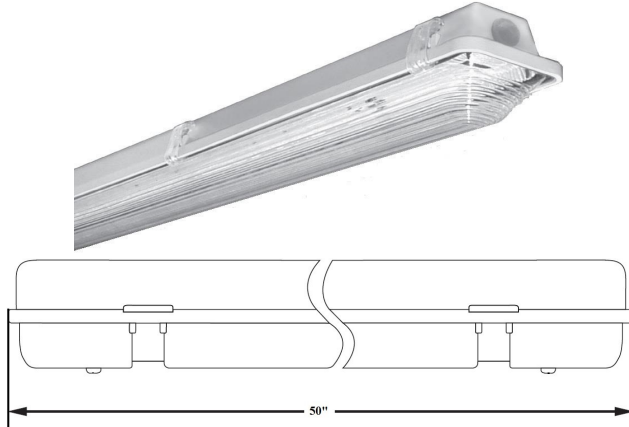


DATE	
PROJECT	
TYPE	
NOTE	
PREPARED BY	

Daisy14

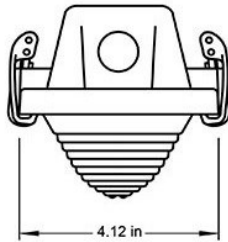
4' Vapor tight LED strip light fixture



Crystal Lighting Daisy14 luminaire is vapor tight, water and dustproof. This fixture is build using Phillips LED strips with a dimmable and programmable Phillips driver, control the mA settings to control the lumen output of the fixture. Daisy 14 features an IP67 rated enclosure. Comes with standard stainless steel hardware, silicone seal and Polycarbonate frosted lens. Great for food processing facilities, Commercial kitchens, Breweries, Industrial facilities, Livestock containment buildings, Parking Garages, Laundries, Car Washes, Underpasses, tunnels. Comes with a 5 year/50,000 hour limited warranty.

FEATURES

- Energy Savings: Over 66% compared to HID light sources
- Improved lumen maintenance
- Utilizes high efficient Phillips lumileds LED's
- Operating temperatures: -30°C ~ 60°C
- Driver: Constant current, 120-277v, 50/60Hz, 480v (Optional)
- Suitable for wet locations
- 0-10v dimming 80CRI (standard) up to 5000 lumen output
- Operating Life: >60,000 hours



CONSTRUCTION

- Gray polycarbonate body with stainless steel clips
- 1/2" rubber plugs for conduit, sensors or photo cell mounting.
- Gray polycarbonate fixture body
- Frosted polycarbonate lens
- Silicone gasket to prevent leakage and provide weather-tight protection.
- Mounting: Surface mount

OPTIONS

- (OCC) Motion sensor
- (EMR) Emergency battery backup
- (WC) Wireless controls

DESIGNLIGHTS
CONSORTIUM



NEMA
PHILIPS
LUMILEDS



Model Number	INPUT POWER	LUMEN OUTPUT	SCOPTIC	COLOR TEMP (CCT)	CRI	RATED LIFE (L70)	INPUT VOLTAGE	INPUT FREQUENCY	Fluorescent Equivalent	DLC LISTED
DAISY14-34LED	34W	3,500	5,775	5000K	80+	>200,000	120-277V	50/60HZ	2-32w T8	NO
DAISY14-52LED	45W	6,069	9,710	5000K	70+	>200,000	120-277V	50/60HZ	3-32w T8	YES

Ordering Guide Example: (DAISY14-34LED-50-MV-OCC)

DAISY14				
MODEL	WATTS	COLOR TEMP	VOLTAGE	OPTIONS
DAISY14	34W-34LED 52W-52LED	30-3000K 35-3500K 40-4000K 50-5000K	MV=120-277V	OCC- MOTION SENSOR WC- Wireless controls EMR- EMR BATTERY