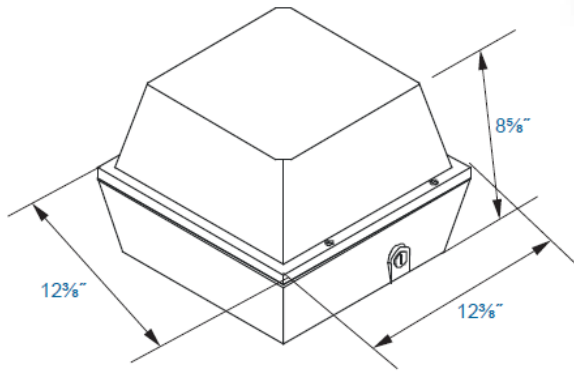


DATE	
PROJECT	
TYPE	
NOTE	
PREPARED BY	

LG-CLW-3034

LED Canopy light



Large LED vandal resistant fixture, suitable for wet locations, DLC listed. Perfect for lighting up residential exteriors, hallways, entry ways, perimeters, storage areas, parking garages, school campuses, Industrial/commercial spaces. This fixture has a wide light distribution. Comes with a 5 year/50,000 hour limited warranty.

FEATURES

- Energy Savings: Over 66% compared to HID light sources
- Improved lumen maintenance
- Utilizes high efficient Phillips Lumiled LED's
- Operating temperatures: -30°C ~ 60°C
- Driver: Constant current, 120-277v, 50/60Hz, 480v (Optional)
- Suitable for wet locations
- Dimming, occupancy sensors, photo cell capable (optional)
- Operating Life: >60,000 hours

CONSTRUCTION

- Housing is heavy-duty die-cast aluminum backing
- 1/2" Coin plugs with O-rings for conduit, sensors or photo cell
- Powder coat **bronze finish (standard)** various colors available (custom).
- Clear prismatic polycarbonate lens
- Silicone gasket to prevent leakage and provide weather-tight protection.
- Mounting: Cast-in Template for Mounting Directly Over a 4" Recessed Outlet Box or use 1/2" Surface Conduit

OPTIONS

- (OCC) Motion sensor
- (PC) Button photo cell
- (EMR) Emergency battery backup
- (QM) Hinged Quick-Mount Bracket, Stamped Steel, Mount Over Recessed Electrical Box, or Use 3/4" NPS Down-rod for

Pendant Mounting

DESIGNLIGHTS
CONSORTIUM



PHILIPS
LUMILEDS

Buy American Compliant

Model Number	INPUT POWER	LUMEN OUTPUT	SCOPTIC	COLOR TEMP (CCT)	CRI	RATED LIFE (L70)	INPUT VOLTAGE	INPUT FREQUENCY	HID Equivalent	DLC LISTED
LG-CLW-3034-5CLED	7W	757	1,211	5000K	70+	>200,000	120-277V	50/60HZ	35w HPS	NO
LG-CLW-3034-10CLED	12W	1,376	2,201	5000K	70+	>200,000	120-277V	50/60HZ	50w HPS	NO
LG-CLW-3034-30CLED	29W	2,374	3,799	5000K	70+	>200,000	120-277V	50/60HZ	100w HPS	YES
LG-CLW-3034-40CLED	45W	3,500	5,600	5000K	70+	>200,000	120-277V	50/60HZ	150w MH	YES
LG-CLW-3034-50CLED	55W	4,300	6,880	5000K	70+	>200,000	120-277V	50/60HZ	150w HPS	YES
LG-CLW-3034-60CLED	65W	4,942	7,950	5000K	70+	>200,000	120-277V	50/60HZ	250w PS	YES

Ordering Guide

Example: (LG-CLW-3034-40CLED-50-MV-QM-BZ-PC)

MODEL	WATTS	COLOR TEMP	VOLTAGE	MOUNTING	FINISH	OPTIONS
LG-CLW-3034	7W-7CLED 10W-10CLED 30W-30CLED 40W-40CLED 50W-50CLED 60W-60CLED	27-2700K 30-3000K 35-3500K 40-4000K 50-5000K 57-5700K 65-6500K	MV=120-277V 480-480V	QM-QUICK MOUNT	BZ- BRONZE GRY-GRAY BLK-BLACK WH- WHITE CUS-CUSTOM	OCC- MOTION SENSOR PC- BUTTON PHOTOCELL EMR- EMR BATTERY

Crystal Lighting Corporation - 13182 Flores St., Santa Fe Springs, Ca. 90670

Phone: 562-944-0223 - Fax: 562-944-0225 - WEB: www.crystallighting.us

Crystal Lighting is BUY AMERICAN compliant - All products are proudly manufactured and/or assembled in the USA