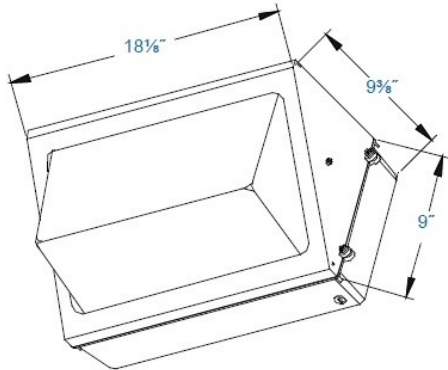


DATE	
PROJECT	
TYPE	
NOTE	
PREPARED BY	

## MD-CLW-3035

## Forward throw LED wallpack



Medium LED wall pack fixture, suitable for wet locations, Perfect for lighting up residential exteriors, walkways, entry ways, perimeters, parking garages, school campuses, industrial/commercial spaces. This fixture has a wide rectangular light distribution. Comes with a 5 year/50,000 hour limited warranty.

### FEATURES

- Energy Savings: Over 66% compared to HID light sources
- Improved lumen maintenance
- Utilizes high efficient Phillips Lumiled LED's
- Operating temperatures: -30°C ~ 60°C
- Driver: Constant current, 120-277v, 50/60Hz, 480v (Optional)
- Suitable for wet locations
- Dimming, photo cell capable (optional)
- Operating Life: >60,000 hours

### CONSTRUCTION

- Housing is heavy-duty die-cast aluminum
- 1/2" Coin plugs with O-rings for conduit, sensors or photo cell
- Powder coat **bronze finish (standard)** various colors available (custom).
- Borosilicate glass lens
- Silicone gasket to prevent leakage and provide weather-tight protection.
- Mounting: Cast-in Template for Mounting Directly Over a 4" Recessed Outlet Box or use 1/2" Surface Conduit

### OPTIONS

- (PC) Button photo cell
- (EMR) Emergency battery backup
- (LG) Lens guard polycarbonate
- (WG) Wire guard stainless steel
- (FCV) Full cut off visor
- (GS) Glare shield
- (SCS) Side cut off shield
- (WC) Wireless Control



Model Number	INPUT POWER	LUMEN OUTPUT	SCOPTIC	COLOR TEMP (CCT)	CRI	RATED LIFE (L70)	INPUT VOLTAGE	INPUT FREQUENCY	HID Equivalent
MD-CLW-3035-20CLED	25W	2,750	4,530	5000K	70+	>200,000	120-277V	50/60HZ	100w MH
MD-CLW-3035-60CLED	65W	8,256	13,622	5000K	70+	>200,000	120-277V	50/60HZ	250w PSMH
MD-CLW-3035-80CLED	85W	11,008	18,163	5000K	70+	>200,000	120-277V	50/60HZ	250w HPS
MD-CLW-3035-100CLED	105W	13,760	22,704	5000K	70+	>200,000	120-277V	50/60HZ	400w PSMH
MD-CLW-3035-120CLED	125W	16,512	26,419	5000K	70+	>200,000	120-277V	50/60HZ	400w HPS

### Ordering Guide

Example: (MD-CLW-3035-60CLED-50-MV-BZ-PC)

MODEL	WATTS	COLOR TEMP	VOLTAGE	FINISH	OPTIONS
MD-CLW-3035	20W-20CLED 60W-60CLED 80W-80CLED 100W-100CLED 120W-120CLED	27-2700K 30-3000K 35-3500K 40-4000K 50-5000K 57-5700K 65-6500K	MV=120-277V 480-480V	BZ- BRONZE GRY-GRAY BLK-BLACK WH- WHITE CUS-CUSTOM	PC- BUTTON PHOTOCCELL EMR- EMR BATTERY LG- POLYCARB COVER WG- WIRE GUARD FCV- FULL CUTOFF VISOR GS- GLARE SHIELD SCS-SIDE CUTOFF SHIELD WC- WIRELESS CONTROL

Crystal Lighting Corporation - 13182 Flores St., Santa Fe Springs, Ca. 90670

Phone: 562-944-0223 - Fax: 562-944-0225 - WEB: www.crystallighting.us

Crystal Lighting is BUY AMERICAN compliant - All products are proudly manufactured and/or assembled in the USA