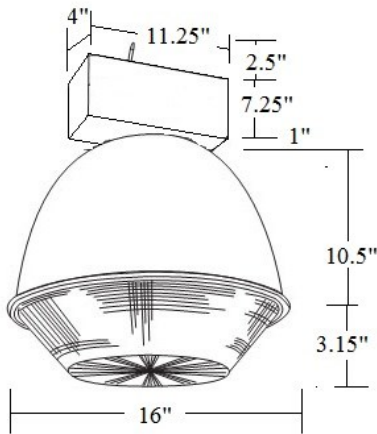


DATE	
PROJECT	
TYPE	
NOTE	
PREPARED BY	

## SM-CLC-2282

## Industrial LED high bay light fixture



Industrial LED high bay fixture, suitable for dry locations, designed to mount on ceilings up to 20 ft. heights in factories, foundries, machines shops, warehouse, large retail stores, gymnasiums and indoor sport arenas. This fixture has a wide light distribution. Comes with a 10 year warranty.

### FEATURES

- Energy Savings: Over 66% compared to HID light sources
- Improved lumen maintenance
- Utilizes high efficient Phillips Lumiled LED's
- Operating temperatures: -30°C ~ 60°C
- Driver: Constant current, 120-277v, 50/60Hz, 480v (Optional)
- Suitable for damp locations
- Dimming, occupancy sensors, photo cell capable (optional)
- Operating Life: >60,000 hours

### CONSTRUCTION

- Housing is heavy duty aluminum material
- Comes with hook to hang from eye loops, chains, etc.
- Powder coat **white** and **anodized finish (standard)** various colors available (custom).
- Acrylic drop lens available (**OPTIONAL**)
- Mounting: Hook to hang from ceiling

### OPTIONS

- (OCC) Motion sensor
- (EMR) Emergency battery backup
- (GL) Glass Lens
- (PDL) Prismatic Drop Lens
- (CDL) Conical Drop Lens
- (3PC) 3 prong cord
- (L5-15P) 120v twist lock plug 3' cord
- (L6-15P) 240v twist lock plug 3' cord
- (L7-15P) 277v twist lock plug 3' cord



Wireless Controls Available

Model Number	INPUT POWER	LUMEN OUTPUT	SCOPTIC	COLOR TEMP (CCT)	CRI	RATED LIFE (L70)	INPUT VOLTAGE	INPUT FREQUENCY	HID Equivalent
SM-CLC-2282-50CLED	55W	6,890	11,024	5000K	70+	>200,000	120-277V	50/60HZ	250w MH
SM-CLC-2282-75CLED	80W	9,590	15,344	5000K	70+	>200,000	120-277V	50/60HZ	250w HPS
SM-CLC-2282-100CLED	105W	13,760	22,704	5000K	70+	>200,000	120-277V	50/60HZ	250w MH
SM-CLC-2282-150CLED	155W	16,080	26,532	5000K	70+	>200,000	120-277V	50/60HZ	250w HPS

# Ordering Guide

Example: (SM-CLC-2282-100CLED-50-MV-WH-OCC)

## SM-CLC-2282

MODEL	WATTS	COLOR TEMP	VOLTAGE	FINISH	OPTIONS
<b>SM-CLC-2282</b>	50W-50CLED	27-2700K	<b>MV=120-277V</b>	<u>STANDARD:</u>	<b>OCC- Motion sensor</b>
	75W-75CLED	30-3000K		480=480V	BZ- BRONZE
	<b>100W-100CLED</b>	35-3500K		AN-ANODIZED	PDL- Prismatic drop lens
	150W-150CLED	40-4000K			CDL- Conical drop lens
		<b>50-5000K</b>		<u>ADD'L CHARGE:</u>	3PC- 3 prong cord
		57-5700K		GRY-GRAY	L5-15P- 120v twist lock plug 3' cord
		65-6500K		BLK-BLACK	L6-15P- 240v twist lock plug 3' cord
				<b>WH-WHITE</b>	L7-15P- 277v twist lock plug 3' cord
				CUS-CUSTOM	

Crystal Lighting Corporation - 13182 Flores St., Santa Fe Springs, Ca. 90670

Phone: 562-944-0223 - Fax: 562-944-0225 - WEB: [www.crystallighting.us](http://www.crystallighting.us)

Crystal Lighting is BUY AMERICAN compliant - All products are proudly manufactured and/or assembled in the USA