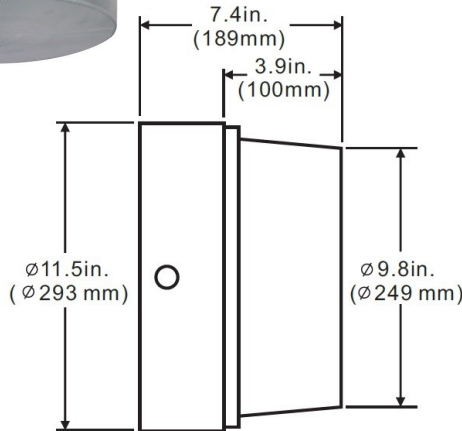


|             |  |
|-------------|--|
| DATE        |  |
| PROJECT     |  |
| TYPE        |  |
| NOTE        |  |
| PREPARED BY |  |

## SM-CLC-3042

## 11" Round LED Canopy light



Small 11" round LED vandal resistant fixture, suitable for wet locations, Perfect for lighting up residential exteriors, hallways, entry ways, perimeters, storage areas, parking garages, school campuses, Industrial/commercial spaces. This fixture has a wide light distribution. Comes with a 5 year/50,000 hour limited warranty.

### FEATURES

- Energy Savings: Over 66% compared to HID light sources
- Improved lumen maintenance
- Utilizes high efficient Phillips Lumiled LED's
- Operating temperatures: -30°C ~ 60°C
- Driver: Constant current, 120-277v, 50/60Hz, 480v (Optional)
- Suitable for wet locations
- Dimming, occupancy sensors, photo cell capable (optional)
- Operating Life: >60,000 hours

### CONSTRUCTION

- Housing is heavy-duty die-cast aluminum backing
- 1/2" Coin plugs with O-rings for conduit, sensors or photo cell
- Powder coat **bronze finish (standard)** various colors available (custom).
- Clear prismatic polycarbonate lens
- Silicone gasket to prevent leakage and provide weather-tight protection.
- Mounting: Cast-in Template for Mounting Directly Over a 4" Recessed Outlet Box or use 1/2" Surface Conduit

### OPTIONS

- (OCC) Motion sensor
- (PC) Button photo cell
- (EMR) Emergency battery backup
- (QM) Hinged Quick-Mount Bracket, Stamped Steel, Mount Over Recessed Electrical Box, or Use 3/4" NPS Down-rod for Pendant Mounting



| Model Number       | INPUT POWER | LUMEN OUTPUT | SCOPTIC | COLOR TEMP (CCT) | CRI | RATED LIFE (L70) | INPUT VOLTAGE | INPUT FREQUENCY | HID Equivalent |
|--------------------|-------------|--------------|---------|------------------|-----|------------------|---------------|-----------------|----------------|
| SM-CLC-3042-5CLED  | 7W          | 757          | 1,211   | 5000K            | 70+ | >200,000         | 120-277V      | 50/60HZ         | 35w HPS        |
| SM-CLC-3042-10CLED | 12W         | 1,376        | 2,201   | 5000K            | 70+ | >200,000         | 120-277V      | 50/60HZ         | 50w HPS        |
| SM-CLC-3042-15CLED | 20W         | 1,918        | 3,068   | 5000K            | 70+ | >200,000         | 120-277V      | 50/60HZ         | 70w HPS        |
| SM-CLC-3042-20CLED | 25W         | 2,752        | 4,403   | 5000K            | 70+ | >200,000         | 120-277V      | 50/60HZ         | 100w MH        |

### Ordering Guide Example: (SM-CLC-3042-20CLED-50-MV-QM-BZ-PC)

| SM-CLC-3042 | MODEL       | WATTS  | COLOR TEMP   | VOLTAGE                 | FINISH   | OPTIONS   |
|-------------|-------------|--|--|-------------------------|--|---|
|             | SM-CLC-3042 | 5W-5CLED<br>10W-10CLED<br>15W-15CLED<br>20W-20CLED | 27-2700K<br>30-3000K<br>35-3500K<br>40-4000K<br>50-5000K<br>57-5700K<br>65-6500K | MV=120-277V<br>480-480V | BZ- BRONZE<br>GRY-GRAY<br>BLK-BLACK<br>WH- WHITE<br>CUS-CUSTOM | OCC- MOTION SENSOR<br>PC- BUTTON PHOTOCELL<br>EMR- EMR BATTERY<br>QM- QUICK MOUNT |