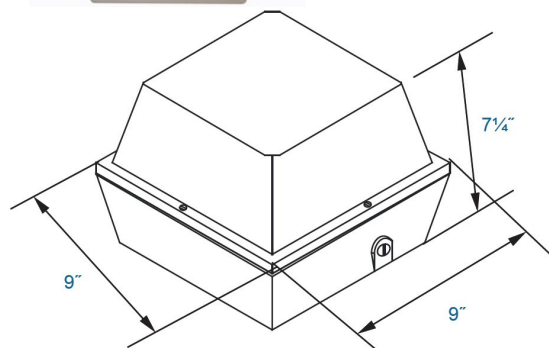


DATE	
PROJECT	
TYPE	
NOTE	
PREPARED BY	

SM-CLW-3034

8" Squared LED Canopy light



Small 8" sq. LED vandal resistant fixture, suitable for wet locations, Perfect for lighting up residential exteriors, hallways, entry ways, perimeters, storage areas, parking garages, school campuses, Industrial/commercial spaces. This fixture has a wide light distribution. Comes with a 5 year/50,000 hour limited warranty.

FEATURES

- Energy Savings: Over 66% compared to HID light sources
- Improved lumen maintenance
- Utilizes high efficient Phillips Lumiled LED's
- Operating temperatures: -30°C ~ 60°C
- Driver: Constant current, 120-277v, 50/60Hz, 480v (Optional)
- Suitable for wet locations
- Dimming, occupancy sensors, photo cell capable (optional)
- Operating Life: >60,000 hours

CONSTRUCTION

- Housing is heavy-duty die-cast aluminum backing
- 1/2" Coin plugs with O-rings for conduit, sensors or photo cell
- Powder coat **bronze finish (standard)** various colors available (custom).
- Clear prismatic polycarbonate lens
- Silicone gasket to prevent leakage and provide weather-tight protection.
- Mounting: Cast-in Template for Mounting Directly Over a 4" Recessed Outlet Box or use 1/2" Surface Conduit

OPTIONS

- (OCC) Motion sensor
- (PC) Button photo cell
- (EMR) Emergency battery backup
- (QM) Hinged Quick-Mount Bracket, Stamped Steel, Mount Over Recessed Electrical Box, or Use 3/4" NPS Down-rod for Pendant Mounting



PHILIPS LUMILEDS

Buy American Compliant

Model Number	INPUT POWER	LUMEN OUTPUT	SCOPTIC	COLOR TEMP (CCT)	CRI	RATED LIFE (L70)	INPUT VOLTAGE	INPUT FREQUENCY	HID Equivalent
SM-CLW-3034-5CLED	7W	757	1,211	5000K	70+	>200,000	120-277V	50/60HZ	35w HPS
SM-CLW-3034-10CLED	12W	1,376	2,201	5000K	70+	>200,000	120-277V	50/60HZ	50w HPS
SM-CLW-3034-15CLED	20W	1,918	3,068	5000K	70+	>200,000	120-277V	50/60HZ	70w HPS
SM-CLW-3034-20CLED	25W	2,752	4,403	5000K	70+	>200,000	120-277V	50/60HZ	100w MH

Ordering Guide

Example: (SM-CLW-3034-20CLED-50-MV-QM-BZ-PC)

SM-CLW-3034	MODEL	WATTS	COLOR TEMP	VOLTAGE	FINISH	OPTIONS
	SM-CLW-3034	5W-5CLED 10W-10CLED 15W-15CLED 20W-20CLED	27-2700K 30-3000K 35-3500K 40-4000K 50-5000K 57-5700K 65-6500K	MV=120-277V 480-480V	BZ- BRONZE GRY-GRAY BLK-BLACK WH- WHITE CUS-CUSTOM	OCC- MOTION SENSOR PC- BUTTON PHOTOCELL EMR- EMR BATTERY QM- QUICK MOUNT

Crystal Lighting Corporation - 13182 Flores St., Santa Fe Springs, Ca. 90670

Phone: 562-944-0223 - Fax: 562-944-0225 - WEB: www.crystallighting.us

Crystal Lighting is BUY AMERICAN compliant - All products are proudly manufactured and/or assembled in the USA