



DATE	
PROJECT	
TYPE	
NOTE	
PREPARED BY	

VL-SL18

LED Security Light



The **VL-SL18** has a built-in photocell sensor that is beneficial for enhancing safety and security. It is ideal for locations such as residential exteriors, walkways, perimeters, school campuses, industrial/commercial spaces, and any other pedestrian travelled locations. The **VL-SL18** is also suitable for wet locations. Along with investing in a **VL-SL18** comes a 3 year warranty.

FEATURES

- Energy Savings: Over 66% compared to HID light sources
- Driver: Constant current, 120V, 50/60Hz
- Suitable for wet locations
- Photocell sensor
- Operating life: >50,000 hours

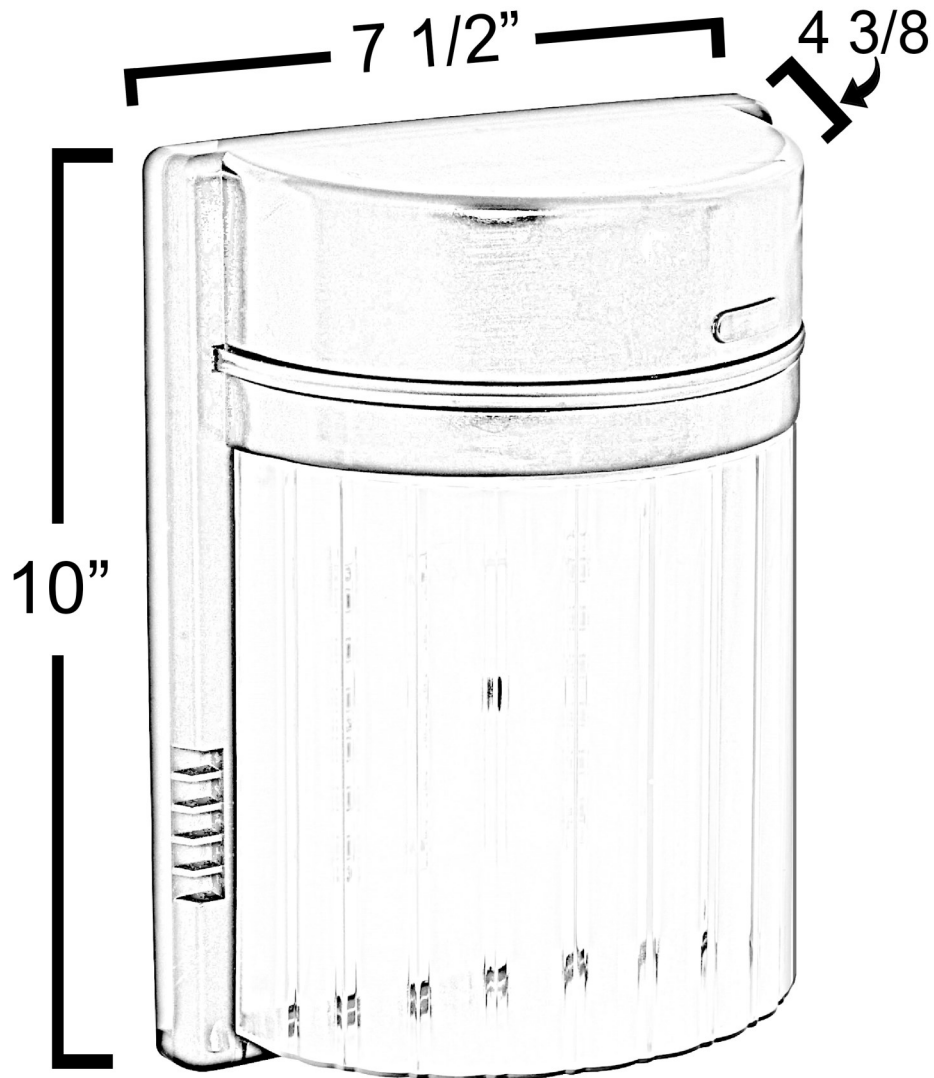
CONSTRUCTION

- Acrylic lens
- Polycarbonate body

MODEL #	INPUT POWER	LUMEN OUTPUT	SCOTOPIC	COLOR TEMP (CCT)	CRI	RATED LIFE (L70)	INPUT VOLTAGE	INPUT FREQUENCY
VL-SL18	18W	1,500	2,475	4000K	70+	>50,000	120V	50/60Hz

Ordering Guide Example: VL-SL18-12LED-40-120V-BZ

MODEL	WATTS	COLOR TEMP	VOLTAGE	FINISH
VL-SL18	18W-18LED	40-4000K	MV=120V	BZ- BRONZE WH- WHITE



Crystal Lighting Corporation - 13182 Flores St., Santa Fe Springs, Ca. 90670
Phone: 562-944-0223 - Fax: 562-944-0225 - WEB: www.crystallighting.us
Crystal Lighting is BUY AMERICAN compliant - All products are proudly manufactured and/or assembled in the USA