

CLP-3072 Series
LED Area Lighting
DESIGN - QUALITY



Crystal 
Lighting

CLP-3072 LED Area LED fixture, suitable for wet locations. Perfect for lighting up residential exteriors, walkways, entry ways, perimeters, storage areas, parking garages, school campuses, Industrial/commercial spaces, wall washer, parking lots, recreational parks. This fixture has a wide light distribution.
-10 year/100,000 hour limited warranty.

FEATURES

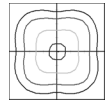
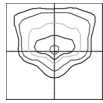
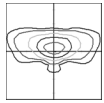
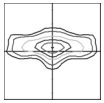
- Energy Savings: Over 66% compared to HID light sources
- Improved lumen maintenance
- Utilizes high efficient Lumiled LED's
- Operating temperatures: -30°C ~ 60°C
- 10Kv Surge Protector. (standard)
- IP-66 Rated
- 0-10 Dimming, Occupancy Sensors, Photo Cell and Wireless Controls (Optional)
- Operating Life: >60,000 hours



CONSTRUCTION.

- Housing is Heavy-Duty Spun Aluminum.
- 3 Mils Powder coat finish
- Clear glass lens standard, prismatic glass lens optional
- Silicone gasket to prevent leakage and provide weather-tight protection.
- Mounting: Arm Mount, Spider Mount, Yoke Mount. (SM and YM 3" O.D Standard)

OPTIC DISTRIBUTION



TYPE 2 (T2)

TYPE 3 (T3)

TYPE 4 (T4)

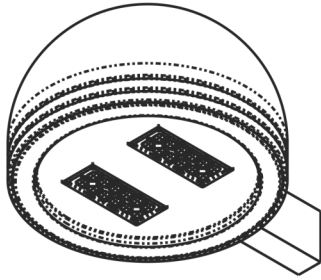
TYPE 5 (T5)

Example: (CLP-3072-120CLEd-50-MV-T5-BRZ-WC)

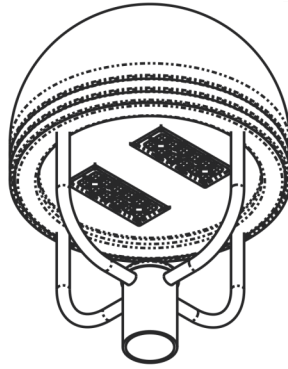


| MODEL | WATTS | OPTIC TYPE | COLOR TEMP | VOLTAGE | FINISH | MOUNTING | OPTIONS |
|----------|----------------|-------------|-------------|---------------|-------------------|-------------------------|-------------------------|
| CLP-3072 | 20W (20CLEd) | TYPE 2 (T2) | 3000K (30K) | 120-277V (MV) | BLACK (BLK) | 6" EXTRUDED ARM (EA6) | MOTION SENSOR (OCC) |
| | 40W (40CLEd) | TYPE 3 (T3) | 4000K (40K) | 377V (347) | WHITE (WH) | 10" EXTRUDED ARM (EA10) | BUTTON PHOTO CELL (PC) |
| | 60W (60CLEd) | TYPE 4 (T4) | 5000K (50K) | 480V (480) | BRONZE (BRZ) | 12" EXTRUDED ARM (EA12) | HOUSE SIDE SHIELD (HSS) |
| | 80W (80CLEd) | TYPE 5 (T5) | | | SILVER (SIL) | SPIDER MOUNT (SM) | WIRELESS CONTROL (WC) |
| | 100W (100CLEd) | | | | GRAPHITE (GPH) | | |
| | 120W (120CLEd) | | | | MARINE GRADE (MG) | YOKE MOUNT (YM) | |

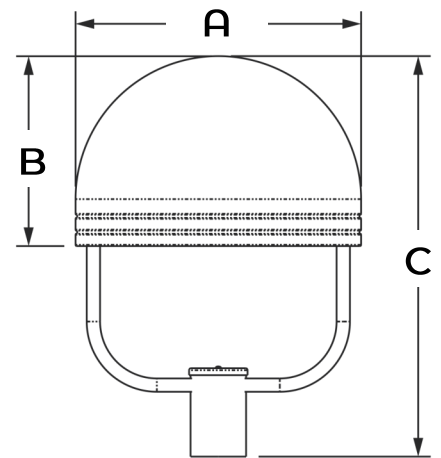
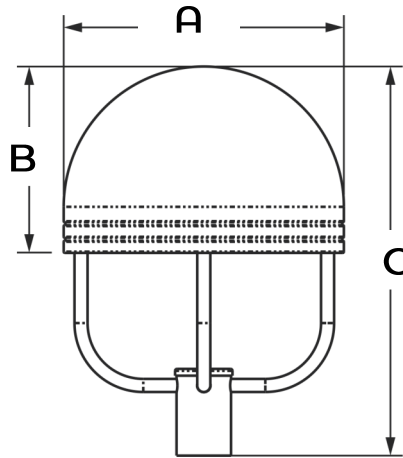
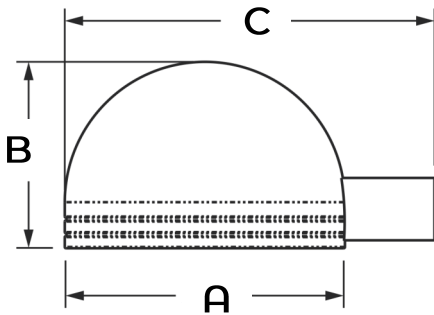
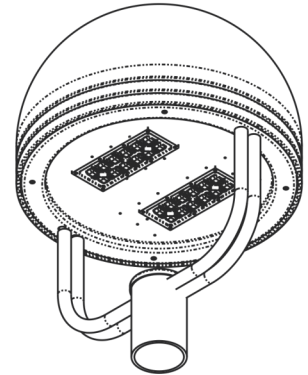
ARM MOUNT



SPIDER MOUNT



YOKE MOUNT



| Shade Dimensions | | | | EPA |
|------------------|-----|-----|---------|------|
| CAT# | A | B | C | |
| CLP-3072-AM | 18" | 12" | 23" 3/4 | 1.16 |
| CLP-3072-SM | 18" | 12" | 25" | 1.33 |
| CLP-3072-ym | 18" | 12" | 25" | 1.25 |

| CAT#: | INPUT POWER | LUMEN OUTPUT | LPW | COLOR-TEMP (CCT) | CRI | RATED LIFE (L70) | INPU VOLTAGE | INPUT FRE-QUENCY | HID Equivalent |
|----------|-------------|--------------|-----|------------------|-----|------------------|--------------|------------------|----------------|
| CLP-3072 | 20CLED | 3,650 | 182 | 5000K | 70+ | >200,000 | 120-277V | 50/60HZ | 35W MH |
| CLP-3072 | 40CLED | 6,492 | 162 | 5000K | 70+ | >200,000 | 120-277V | 50/60HZ | 50W HPS |
| CLP-3072 | 60CLED | 8,559 | 142 | 5000K | 70+ | >200,000 | 120-277V | 50/60HZ | 70W PSMH |
| CLP-3072 | 80CLED | 12,714 | 158 | 5000K | 70+ | >200,000 | 120-277V | 50/60HZ | 150W HPS |
| CLP-3072 | 100CLED | 14,265 | 142 | 5000K | 70+ | >200,000 | 120-277V | 50/60HZ | 150W HPS |
| CLP-3072 | 120CLED | 17,118 | 142 | 5000K | 70+ | >200,000 | 120-277V | 50/60HZ | 250W HPS |



Crystal Lighting Corp.
13182 Flores St,
Santa Fe Springs, CA 90670
Ph: 562-944-0223
Fax: 562-944-0225
www.crystallighting.us

All products are proudly manufactured and/or assembled in the USA