

**CLP-5000 Series**  
**Architectural LED Lighting**  
DESIGN - QUALITY



**Crystal**   
**Lighting**

## 5000 Series Architectural LED Fixture



CLP-5000 Architectural LED Post Top Fixture, suitable for wet locations. Perfect for lighting up residential exteriors, walkways, perimeters, school campuses, industrial/commercial spaces, parking lots, and recreational parks. This fixture has a wide light distribution.

Dark sky compliant.

-10 year/100,000 hour limited warranty.

### FEATURES:

- Energy Savings: Over 66% compared to HID light sources
- Improved lumen maintenance
- Utilizes high efficient Lumiled LED's
- Operating temperatures: -30°C ~ 60°C
- Driver: Constant current, 120-277v, 50/60Hz, 480v (Optional)
- 10Kv Surge Protector. (standard)
- 0-10 Dimming, Occupancy Sensors, Photo Cell and Wireless controls capable (optional)
- Operating Life: >60,000 hours

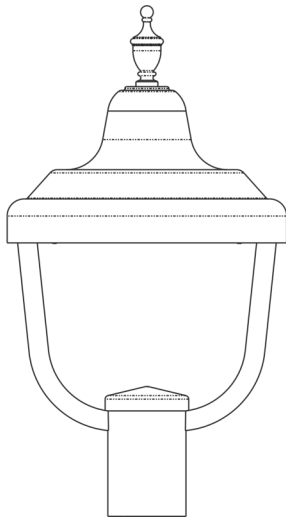
### CONSTRUCTION:

- Housing is spun aluminum material
- Powder Coat Black (5mil. standard) various colors available (custom).
- Clear flat glass lens (standard).
- Silicone gasket to prevent leakage and provide weather-tight protection.
- Mounting: Comes ready to mount over 3"1/2 Tenon (standard) can be built to mount on other size poles and shapes per your request (Adapter required)

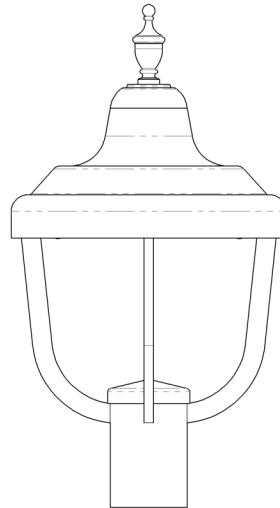
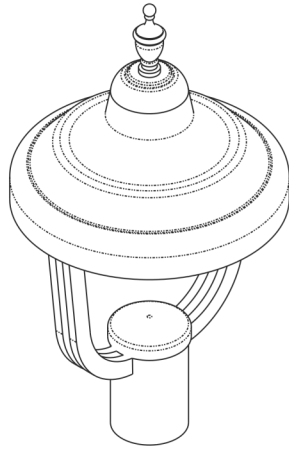


Example: (CLP-5000-SM-T2-50CLED-30K-MV-BZ-WC)

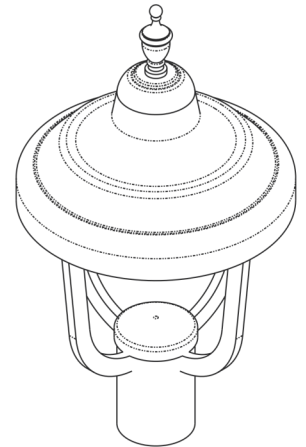
CAT #	MOUNTING	TYPE	WATTS	COLOR TEMP.	VOLTAGE	COLOR	OPTIONS
CLP-5000	SPIDER MOUNT (SM)	TYPE 2 (T2)	20W (20CLED)	3000K (30K)	120-277V (MV)	BLACK (BLK)	Motion Sensor (OCC)
		TYPE 3 (T3)	40W (40CLED)	4000K (40K)	480V (HV)	WHITE (WH)	Button Photo Cell (PC)
	YOKE MOUNT (YM)	TYPE 4 (T4)	50W (50CLED)	5000K (50K)		BRONZE (BRZ)	Wireless controls (WC)
		TYPE 5 (T5)	60W (60CLED)			SILVER (SIL)	
			70W (70CLED)			GRAPHITE (GPH)	
					MARINE GRADE (MG)		



**CLP-5000-YM**

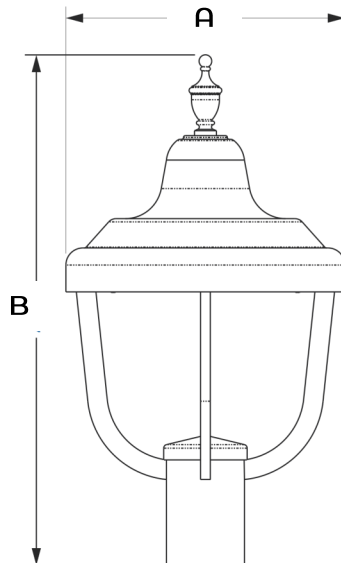


**CLP-5000-SM**

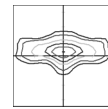


Dimensions		
CAT#	A	B
CLP-5000	14" 3/8	26.00"

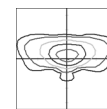
EPA	
CAT#	EPA
CLP-5000-SP	.85
CLP-5000-YA	.83



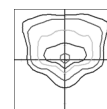
**OPTIC DISTRIBUTION**



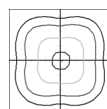
**TYPE 2 (T2)**



**TYPE 3 (T3)**



**TYPE 4 (T4)**



**TYPE 5 (T5)**

MODEL #	INPUT POWER	LUMEN OUTPUT	LP/W	COLOR TEMP. (CCT)	CRI	RATED LIFE (L70)	INPUT VOLTAGE	INPUT FREQUENCY	HID Equivalent
CLP-5000-20CLED	25W	3,650	182	5000K	70+	>200,000	120-277V	50/60HZ	100w MH
CLP-5000-40CLED	45W	6,492	162	5000K	70+	>200,000	120-277V	50/60HZ	150w HPS
CLP-5000-50CLED	55W	7,780	155	5000K	70+	>200,000	120-277V	50/60HZ	250w MH
CLP-5000-60CLED	65W	8,539	142	5000K	70+	>200,000	120-277V	50/60HZ	250w PSMH
CLP-5000-70CLED	75W	9,986	142	5000K	70+	>200,000	120-277V	50/60HZ	250w HPS



**Crystal Lighting Corp.**  
Crystal Lighting Corp.  
13182 Flores St,  
Santa Fe Springs, CA 90670  
Ph: 562-944-0223  
Fax: 562-944-0225  
[www.crystallighting.us](http://www.crystallighting.us)

All products are proudly manufactured and/or assembled in the USA