

CLP-Decorative Arm 10

Architectural Arms

Decorative Arm 10 is Constructed of Extruded Aluminum Tubing. Mount over Round Poles or Tenons of 3", 3-1/2", 4", 4-1/2", or 5" OD, DA10 and is secured with 3/8" Stainless Steel Set Screws. Contact us for custom configuration or others mounting. All Decorative Arms are Proudly Designed, Fabricated and Assembled in the USA.

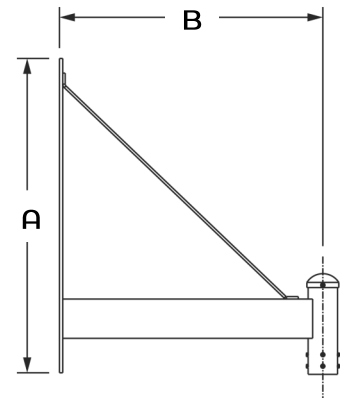
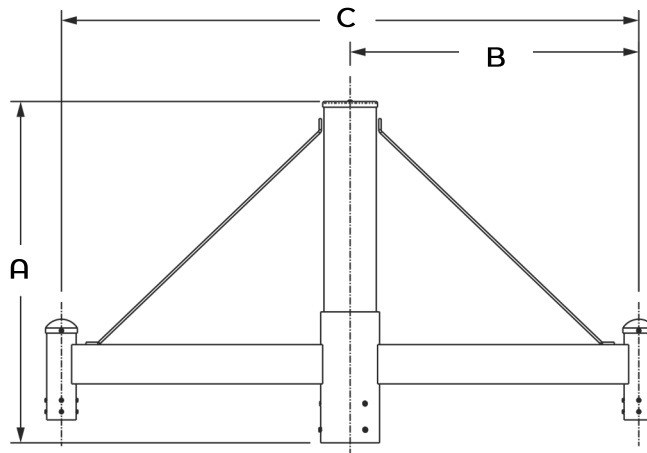
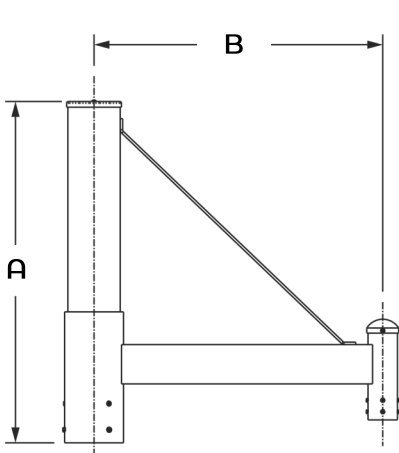
DA10-SGL



DA10-D180



DA10-WM



Dimensions				EPA
CAT#	A	B	C	
DA10-SGL	26	22"	-	1.27
DA10-D180	26	22"	44"	1.82
DA10-WM	26	22"	-	.7

Example: (DA10-SGL-3-BLK)

Cat #	Mounting	Pole or Tenon O.D	Finish
Decorative Arm 10 (DA10)	Single (SGL)	3" OD (3)	Bronze (BRZ)
	Double 180° (D180)	3" 1/2 OD (312)	Black (BLK)
	Wall Mount (WM)	4" OD (4)	White (WHT)
		4" 1/2 OD (412)	Silver (SVR)
		5"OD (5)	Grey (GRY)
			Custom (CS)