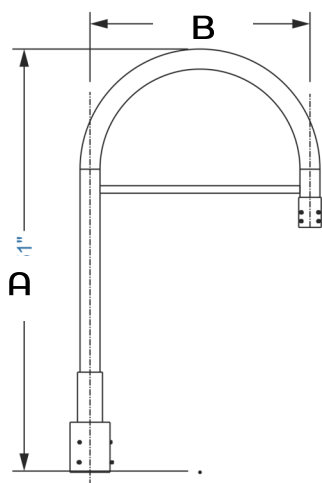


CLP-Decorative Arm 3

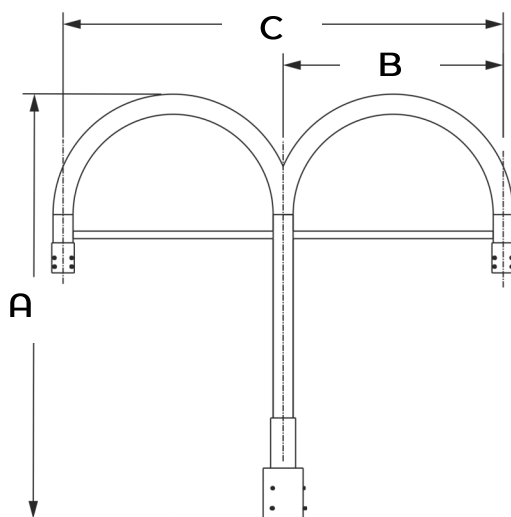
Architectural Arms

Decorative Arm 3 is Constructed of Extruded Aluminum Tubing. Mount over Round Poles or Tenons of 3", 3-1/2", 4", 4-1/2", or 5" OD, DA3 and is secured with 3/8" Stainless Steel Set Screws. Contact us for custom configuration or others mounting. All Decorative Arms are Proudly Designed, Fabricated and Assembled in the USA.

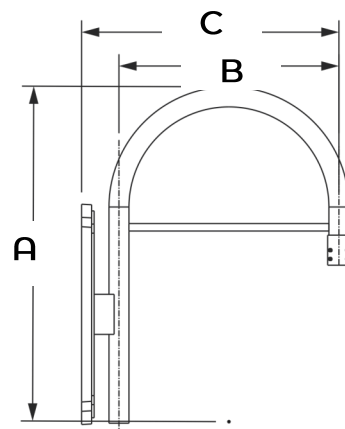
DA3-SGL



DA3-D180



DA3-WM



Dimensions				EPA
CAT#	A	B	C	
DA3-SGL	42"	22"	-	1.18
DA3-D180	42"	22"	44"	1.35
DA3-WM	33" 1/2	22"	27" 3/4	1.26

Example: (DA3-SGL-3-BLK)

Cat #	Mounting	Pole or Tenon O.D	Finish
Decorative Arm 3 (DA3)	Single (SGL)	3" OD (3)	Bronze (BRZ)
	Double 180° (D180)	3" 1/2 OD (312)	Black (BLK)
	Wall Mount (WM)	4" OD (4) 4" 1/2 OD (412) 5"OD (5)	White (WHT) Silver (SVR) Grey (GRY) Custom (CS)