

CLP-Decorative Arm 4

Architectural Arms

Decorative Arm 4 is Constructed of Extruded Aluminum Tubing. Mount over Round Poles or Tenons of 3-1/2" and, 4" OD, DA4 and is secured with 3/8" Stainless Steel Set Screws. Contact us for custom configuration or others mounting. All Decorative Arms are Proudly Designed, Fabricated and Assembled in the USA.

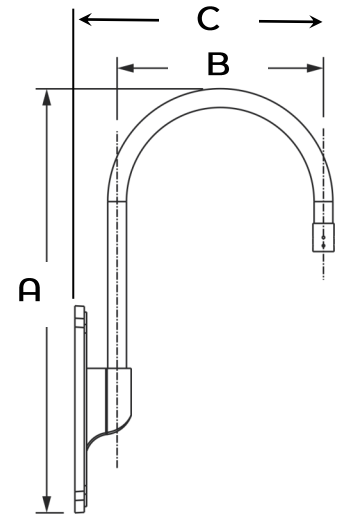
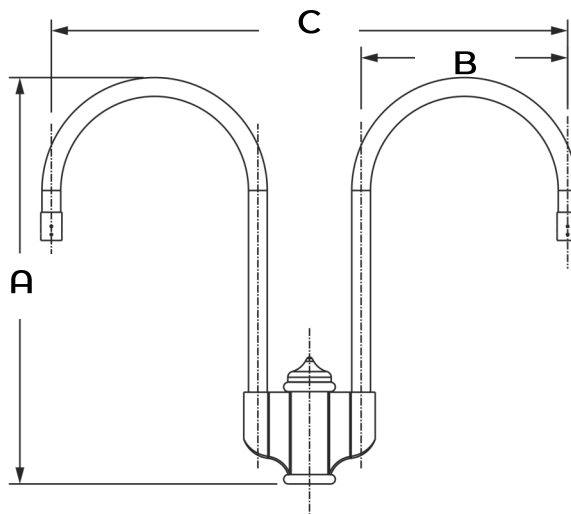
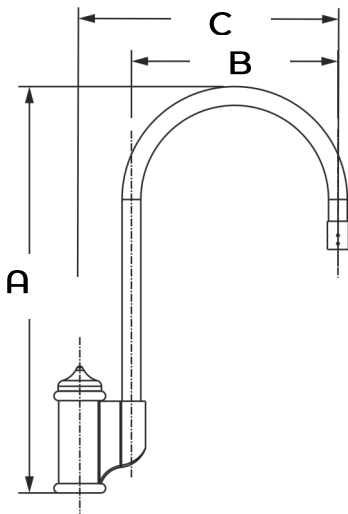
DA4-SGL



DA4-D180



DA4-WM



Dimensions				EPA
CAT#	A	B	C	
DA4-SGL	43"	22"	27" 1/2	1.2
DA4-D180	43"	22"	55"	2.5
DA4-WM	45"	22"	26" 1/2	1.4

Example: (DA4-SGL-312-BLK)

Cat #	Mounting	Pole or Tenon O.D	Finish
Decorative Arm 4 (DA4)	Single (SGL)	3" 1/2 OD (312)	Bronze (BRZ) Black (BLK) White (WHT) Silver (SVR) Grey (GRY) Custom (CS)
	Double 180° (D180)	4" OD (4)	
	Wall Mount (Wm)		