

CLP-Decorative Arm 7

Architectural Arms

Decorative Arm 7 is Constructed of Cast Aluminum and Extruded Aluminum Fitter. Mount over Round Poles or Tenons of 3", 3-1/2", 4", 4-1/2", or 5" OD, DA7 and is secured with 3/8" Stainless Steel Set Screws. Contact us for custom configuration or others mounting. All Decorative Arms are Proudly Designed, Fabricated and Assembled in the USA.

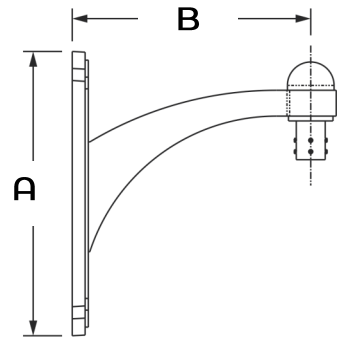
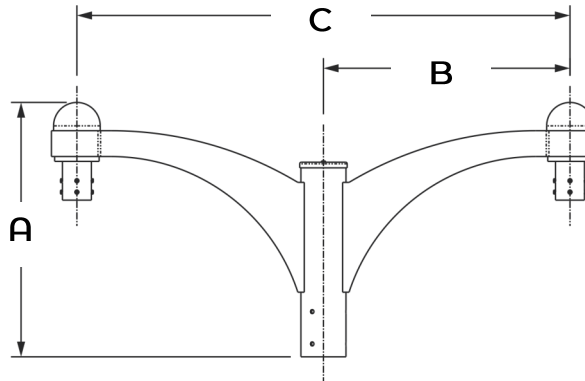
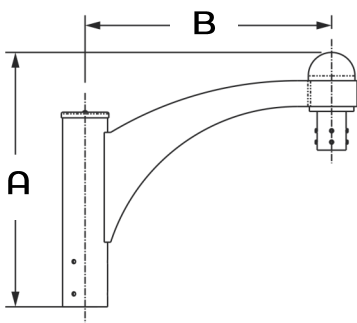
DA7-SGL



DA7-D180



DA7-WM



CAT#	Dimensions			EPA
	A	B	C	
DA7-SGL	19" 3/4	19" 1/4	-	.9
DA7-D180	19" 3/4	19" 1/4	38" 3/8	1.43
DA7-WM	18" 1/2	22"	-	.71

Example: (DA7-SGL-3-BLK)

Cat #	Mounting	Pole or Tenon O.D	Finish
Decorative Arm 7 (DA7)	Single (SGL)	3" OD (3)	Bronze (BRZ) Black (BLK) White (WHT) Silver (SVR) Grey (GRY) Custom (CS)
	Double 180° (D180)	3" 1/2 OD (312)	
	Wall Mount (WM)	4" OD (4)	
		4" 1/2 OD (412)	
		5"OD (5)	