

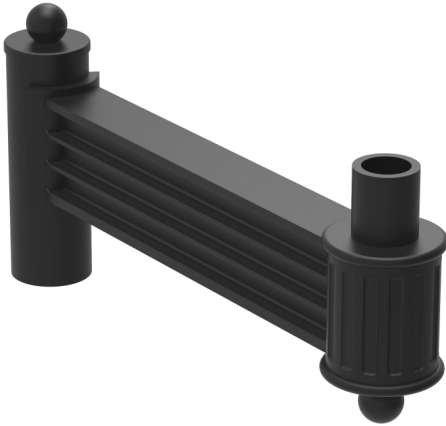
# CLP-X155

# Architectural Arms

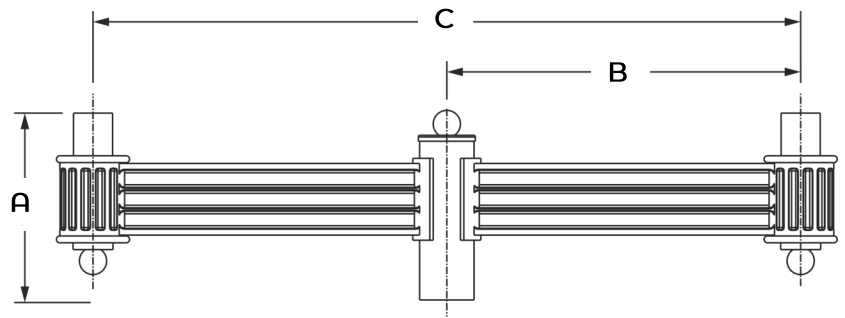
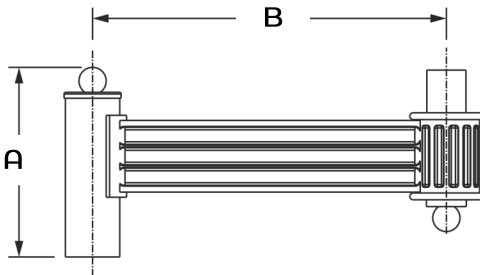
CLP-X155 is Constructed of Cast Aluminum . Mount over Round Poles or Tenon of 3", 3-1/2", and 4" O.D., CLP-X155 is secured with 3/8" Stainless Steel Set Screws.

Contact us for custom configuration or others mounting. All Decorative Arms are Proudly Designed, Fabricated and Assembled in the USA.

**CLP-X155-SGL**



**CLP-X155-D180**



Dimensions				EPA
CAT#	A	B	C	
CLP-X155-SGL	14	26"	-	1.45
CLP-X155-D180	14	26"	52"	2.55

Example: (CLP-X155-SGL-3-BLK)

Cat #	Mounting	Pole or Tenon O.D	Finish
CLP-X155 (CLP-X155)	Single (SGL) Double 180° (D180)	3" OD (3) 3" 1/2 OD (312) 4" OD (4)	Bronze (BRZ) Black (BLK) White (WHT) Silver (SVR) Grey (GRY) Custom (CS)