



| | | | |
|--------------|--|------|--|
| PROJECT NAME | | | |
| TYPE | | DATE | |
| NOTES | | | |

Marine

Architectural LED Bulkhead



Marine is designed with quality aluminum die-cast material which enables long durability. The Marine is commonly installed in outdoor locations such as: residential areas, shopping districts, and public buildings.

- 10 year/100,000 hour limited warranty.

FEATURES

- 120~277V voltage
- UL listed for damp/wet locations
- Photocell
- 10Kv Surge Protector. (standard)

CONSTRUCTION

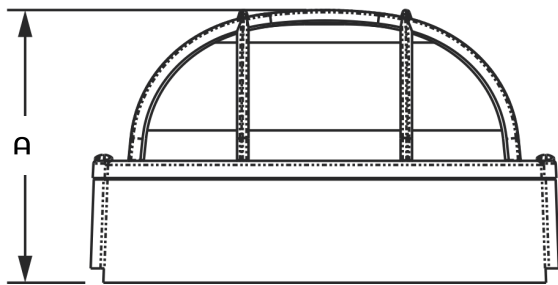
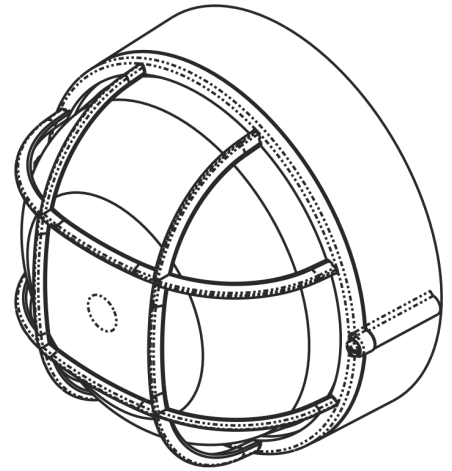
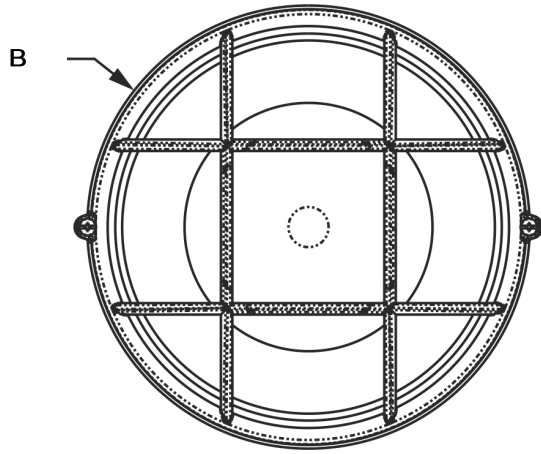
- Cast Aluminum Housing
- White frosted Glass
- 3 Mils Powder Coating Finish



Example: (MRN-10CLEd-30K-MV-BLK-WM-PC)



| MRN | | | | | | |
|--------------|------------------------------|--|--------------|--|-----------------|----------------|
| Cat # | Wattage | Color Temp. | Voltage | FINISH | MOUNTING | OPTIONS |
| Marine (MRN) | 10W (10CLEd) 20W (20CLEd) | 3000K (30) 4000K (40) 5000K (50) | 120-277 (MV) | Black (BLK) White (WH) Bronze (BRZ) Gray (GRY) Graphite (GPH) Marine Grade (MG) | Wall Mount (WM) | Photocell (PC) |



| Dimensions | | |
|------------|----|--------|
| CAT# | A | B |
| MRN | 6" | 9" 5/8 |

| CAT# | WATTAGE | LUMEN OUTPUT | COLOR TEMP | CRI | L70 RATING | INPUT FREQUENCY |
|-----------|---------|--------------|------------|-----|------------|-----------------|
| MRN-10LED | 10W | 1,938 | 5000K | 75 | >200,000 | 50/60 HZ |
| MRN-20LED | 20W | 3,650 | 5000K | 75 | >200,000 | 50/60 HZ |

All products are proudly manufactured and/or assembled in the USA