

# Marine

Architectural LED Bulkhead

DESIGN - QUALITY



Crystal   
Lighting



PROJECT NAME			
TYPE		DATE	
NOTES			

## Marine

## Architectural LED Bulkhead



Marine is designed with quality aluminum die-cast material which enables long durability. The Marine is commonly installed in outdoor locations such as: residential areas, shopping districts, and public buildings.

- 10 year/100,000 hour limited warranty.

### FEATURES

- 120~277V voltage
- UL listed for damp/wet locations
- Photocell
- 10Kv Surge Protector. (standard)

### CONSTRUCTION

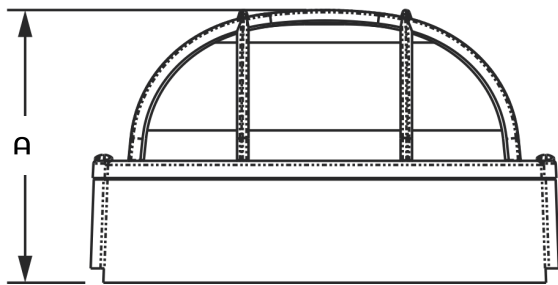
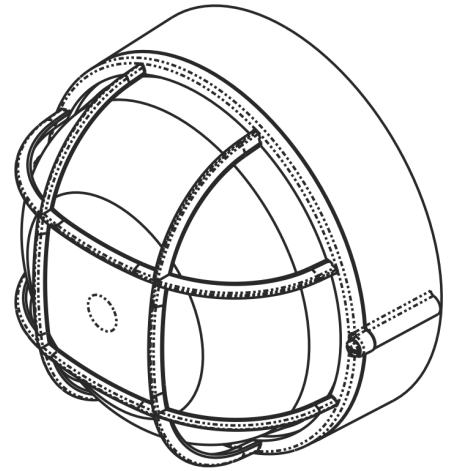
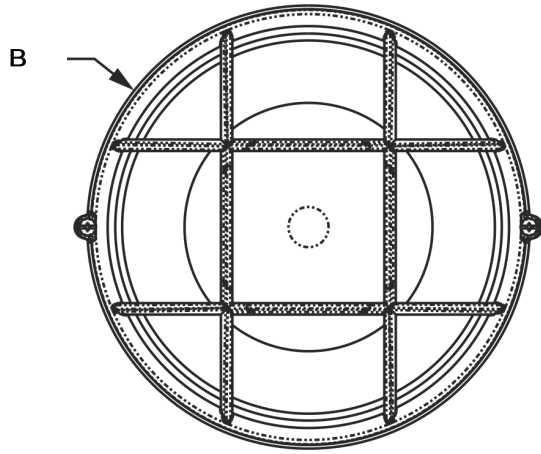
- Cast Aluminum Housing
- White frosted Glass
- 3 Mils Powder Coating Finish



Example: (MRN-10CLEd-30K-MV-BLK-WM-PC)



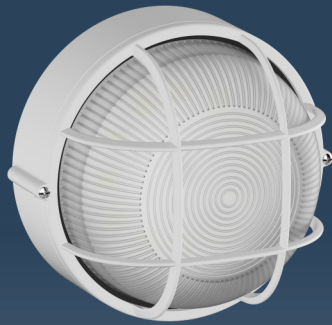
MRN	Wattage	Color Temp.	Voltage	FINISH	MOUNTING	OPTIONS
Marine (MRN)	10W (10CLEd) 20W (20CLEd)	3000K (30) 4000K (40) 5000K (50)	120-277 (MV)	Black (BLK) White (WH) Bronze (BRZ) Gray (GRY) Graphite (GPH) Marine Grade (MG)	Wall Mount (WM)	Photocell (PC)



Dimensions		
CAT#	A	B
MRN	6"	9" 5/8

CAT#	WATTAGE	LUMEN OUTPUT	COLOR TEMP	CRI	L70 RATING	INPUT FREQUENCY
MRN-10LED	10W	1,938	5000K	75	>200,000	50/60 HZ
MRN-20LED	20W	3,650	5000K	75	>200,000	50/60 HZ

All products are proudly manufactured and/or assembled in the USA



**Crystal Lighting Corp.**  
13182 Flores St,  
Santa Fe Springs, CA 90670  
Ph: 562-944-0223  
Fax: 562-944-0225  
[www.crystallighting.us](http://www.crystallighting.us)

All products are proudly manufactured and/or assembled in the USA