

# JANUS

Architectural LED Lighting  
DESIGN-FUNCTION-QUALITY



*Crystal Lighting Corp.*





**JANUS** Architectural LED Lighting Post Mount, Suitable for wet Locations. Perfect for Lighting Up Residential Exteriors, Walkways, Perimeters, School Campus, Industrial/Commercial Spaces, Parking Lots, Recreational Parks. This fixture has a wide light distribution.

**Warranty**

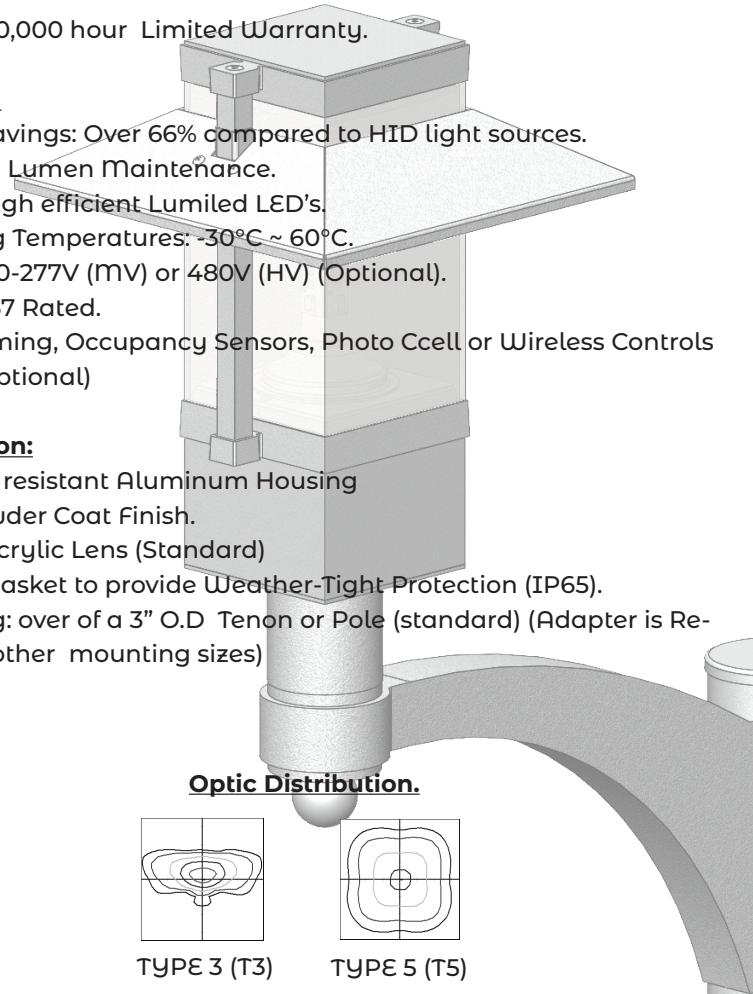
-10 year/100,000 hour Limited Warranty.

**Features:**

- Energy Savings: Over 66% compared to HID light sources.
- Improved Lumen Maintenance.
- Utilizes High efficient Lumiled LED's.
- Operating Temperatures: -30°C ~ 60°C.
- Driver: 120-277V (MV) or 480V (HV) (Optional).
- IP65 / IP67 Rated.
- 0-10 Dimming, Occupancy Sensors, Photo Ccell or Wireless Controls capable (optional)

**Construction:**

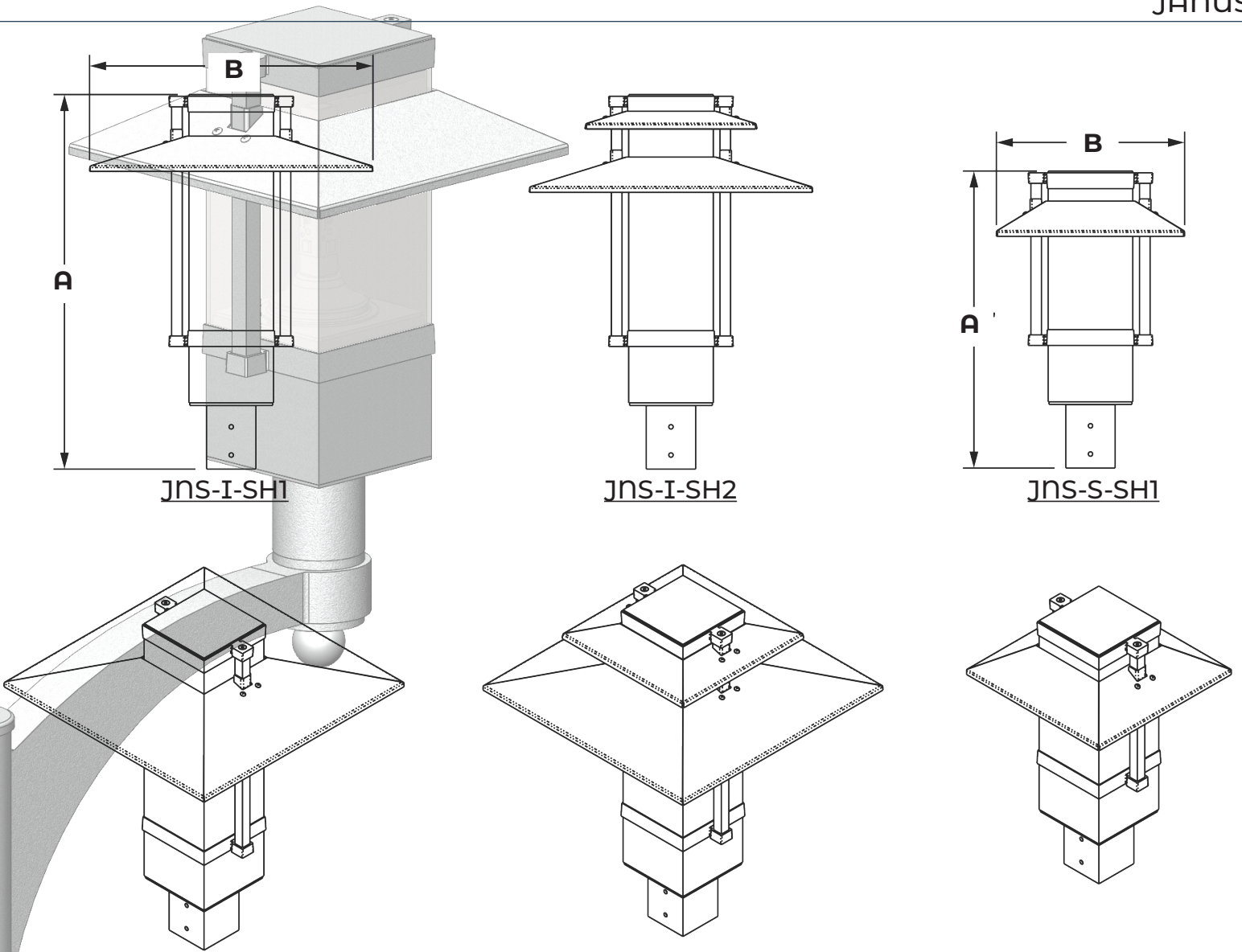
- Corrosion resistant Aluminum Housing
- 3 Mil Powder Coat Finish.
- Frosted Acrylic Lens (Standard)
- Silicone Gasket to provide Weather-Tight Protection (IP65).
- Mounting: over of a 3" O.D Tenon or Pole (standard) (Adapter is Required for other mounting sizes)



Example: JNS-I-SH1-20CLED-T2-40K-MV-BRZ-3S-OCC



Cat #	Shade	Wattage	Light Dist.	Color Temp.	Voltage	Color	Mounting	Options
* Shade 1 only *Janus-Small (JNS-S) ----- Janus-I (JNS-I)	Shade 1 (SH1)  Shade 2 (SH2)	20W (20CLED) 30W (30CLED) ----- 50W (50CLED) 60W (60CLED) 80W (80CLED) 100W (100CLED)	Type 3 (T3)  Type 5 (T5)	3000K (30K) 4000K (40K) 5000K (50K)	120-277V (MV) 480V (HV)	Black (BLK) White (WH) Bronze (BRZ) Silver (SIL) Graphite (GPH) Marine Grade (MG)	Post Mount  Square 3" SQ (3S) 4" SQ (4S)  Round 3" OD (3R) 4" OD (4R)	*Occupancy Sensor (OCC) *External Mount  Button Photo Cell (PC) Wireless controls (WC) Opal Acrylic Lens (OAL)



Dimensions			
Cat#	A	B	EPA
JNS-S-SH1	21"	13" 3/16	.98
JNS-I-SH1	26" 1/2	20"	1.34
JNS-I-SH2	26" 1/2	20"	1.36

Cat #	Input Power	Lumen Output	LPW	Color Temp. (CCT)	CRI	Rated Life (L70)	Input Voltage	HID Equivalent	HID Equivalent
JNS-S/1-20CLED	25W	3,650	182	5000K	70+	>200,000	120-277V	50/60HZ	100w MH
JNS-S/1-30CLED	35W	5,509	183	5000K	70+	>200,000	120-277V	50/60HZ	150w HPS
JNS-I-50CLED	55W	7,780	155	5000K	70+	>200,000	120-277V	50/60HZ	250w MH
JNS-I-60CLED	65W	8,539	142	5000K	70+	>200,000	120-277V	50/60HZ	250w PSMH
JNS-I-80CLED	85W	9,986	142	5000K	70+	>200,000	120-277V	50/60HZ	250w HPS
JNS-I-100CLED	105W	14,640	120	5000K	70+	>200,000	120-277V	50/60HZ	400W PSMH

Proudly Manufactured and Assembled in the USA



Crystal Lighting  
13182 Flores ST.  
Santa Fe Springs , CA. 90670  
Ph: 562-944-0223  
[www.crystallighting.us](http://www.crystallighting.us)

Proudly manufactured and assembled in the USA