



The CL-1STIX Architectural Luminaire, slim Profiles with Robust Construction. Lighting Solution for modern Offices, Public Areas, Libraries and other Indoor Spaces. CL-1STIX is Available in 2', 3' and 4' OD. CL-1STIX includes a White Cord along with Stainless Steel Aircraft Cables.

-10 Year Limited Warranty.

FEATURES

- Driver 120/277, 0-10v Dimming Driver.
- Available in 30K/80CRI Standard, 40K, 50k or 90CRI are optional
- Lumileds Flex LED strip
- 80 CRI
- Suitable for damp locations
- White cord (included)
- Stainless Steel Adjustable Aircraft Cables

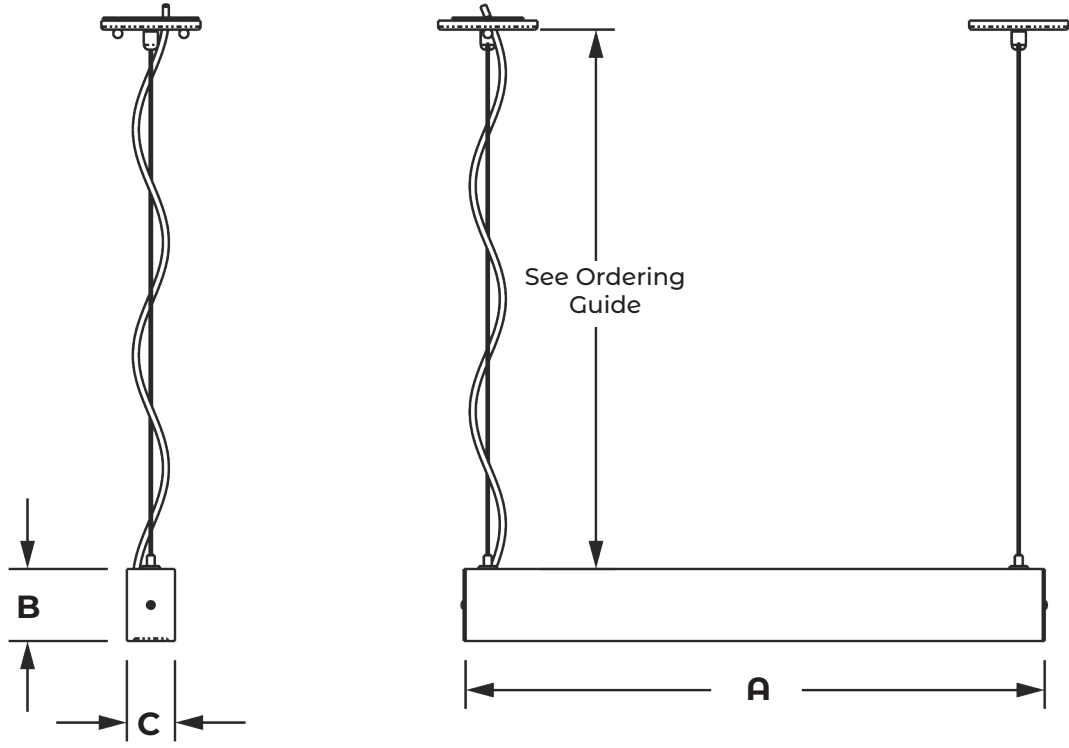
CONSTRUCTION

- Material: Aluminum Housing
- 3 Mils Powder Coating
- Frosted Acrylic Lens (standard)

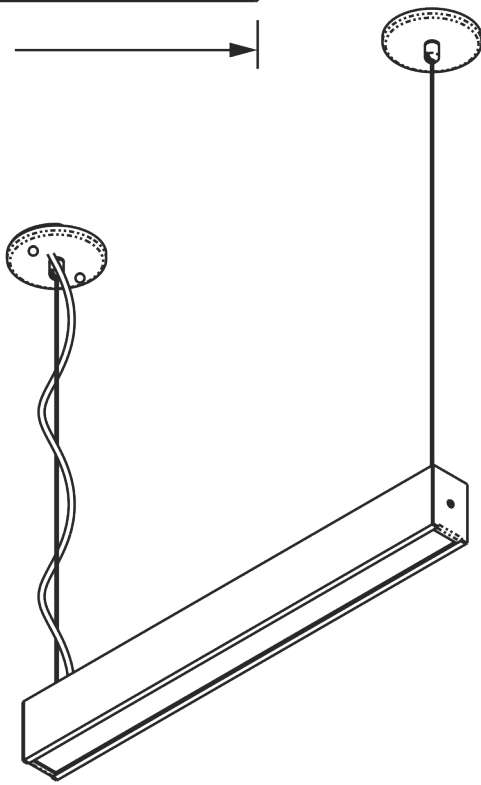


Example: CL-1STIX-2-10CLEd-30K-80CRI-MV-BLK-CBM4

Cat #	Length	Strap Design	Wattage	Color Temp.	CRI	Voltage	Finish	Mounting
CL-1STIX (CL-1STIX)	24" (2)	Down Light (DL)	10W (10CLEd)	3000K (30K)	80CRI (80CRI)	120-277V (MV)	Matte Black (MBLK) Glossy Black (GBLK) Texture Black (TBLK) Texture White (TWHT) Silver (SLR) Bronze (BRZ) Graphite (GPH) Copper Vein (CPV) Silver Vein(SLV) Oil Rubbed Bronze (ORB)	Aircraft Cable
	-----		20W	4000K (40K)	90CRI (90CRI)			CBM 4' (CBM2)
	36" (3)	Up Light (UL)	(20CLEd)	5000K (50K)				CBM 6' (CBM3)
	-----		30W					
	48" (4)	UP& Down- Light (UDL)	(30CLEd) 40W (40CLEd) ----- 50W (50CLEd) 60W (60CLEd)				Custom (CST)	



Cat#	A	B	C
CL-1STIX-2	24"	3"	2"
CL-1STIX-3	36"	3"	2"
CL-1STIX-4	48"	3"	2"



Cat #	Input Power	Lumen Output	LPW	Color Temp. (CCT)	CRI	Rated Life (L70)	Input Voltage
CL-1STIX-2-10CLED	15W	1,540	102	3000K	80+	>200,000	120-277V
CL-1STIX-2-20CLED	25W	2,552	103	3000K	80+	>200,000	120-277V
CL-1STIX-3-30CLED	35W	4,011	133	3000K	80+	>200,000	120-277V
CL-1STIX-3-40CLED	45W	5,110	128	3000K	80+	>200,000	120-277V
CL-1STIX-4-50CLED	55W	7,198	130	3000K	80+	>200,000	120-277V
CL-1STIX-4-60CLED	65W	8,448	129	3000K	80+	>200,000	120-277V

Proudly Manufactured and Assembled in the USA