

CLP-M56

Architectural LED Luminaire
DESIGN-FUNCTION-QUALITY



Crystal Lighting Corp.





The **CLP-M56** differentiates from other LED Post top fixtures due to its creative shape and internal efficiency. CLP-M56 is essential for illuminating Residential Exteriors, Walkways, Perimeters, School Campuses, Commercial Spaces, Parking Lots, and Recreational Parks. This fixture has various light distribution options. -10 year/50,000hr limited warranty.

Features

- Energy Savings: Over 66% compared to HID light sources
- Improved lumen maintenance
- Utilizes highly efficient Phillips Lumiled LED's
- Operating temperatures: -30°C ~ 60°C
- Driver: Constant current, 120~277v, 50/60Hz, 480v (Optional)
- Suitable for wet locations
- 0-10 Dimming Driver, Occupancy Sensors, Photocell or Wireless Controls (Options)
- Operating Life: >200,000 hours

Construction

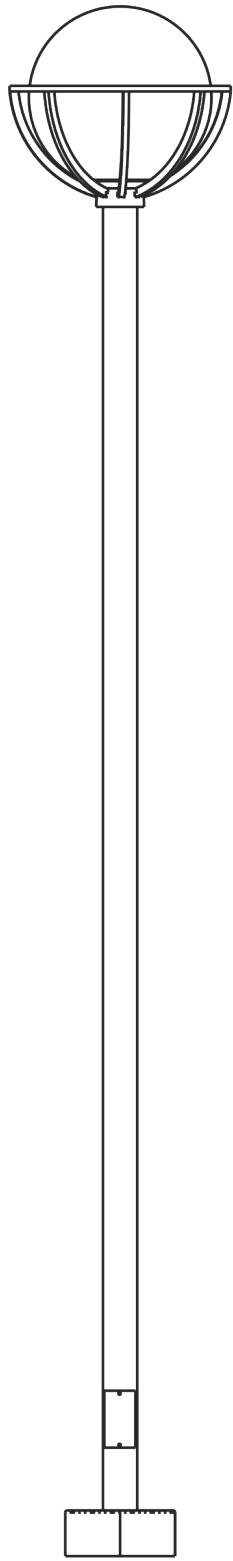
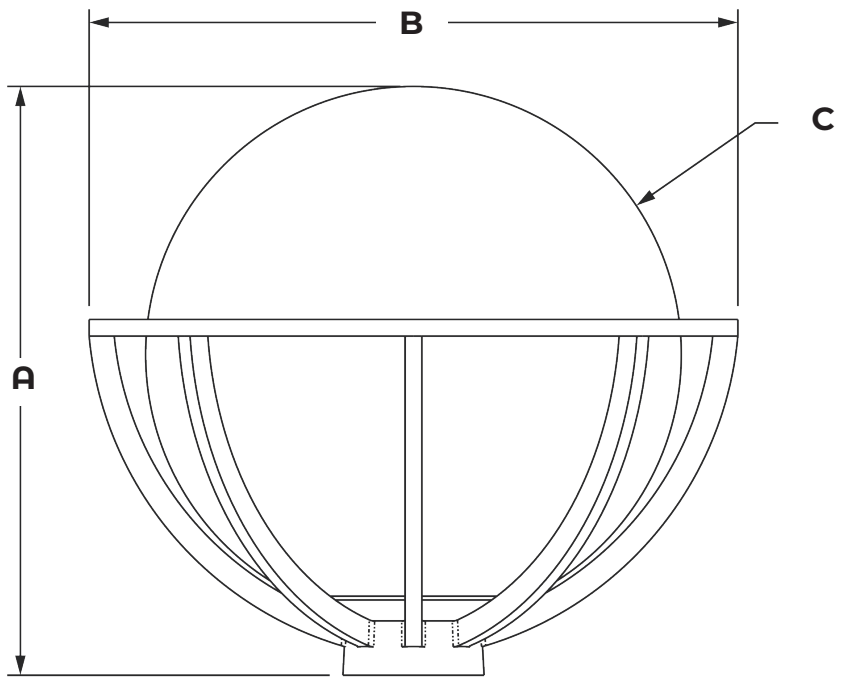
- Housing is heavy-duty die-cast aluminum material
- Powder coat finish (standard)
- Frosted, Clear or Opal Acrylic Lens (Options)
- Silicone gasket to prevent leakage and provide weather-tight protection.
- Mounting: Over 3" OD Pole or Tenon, Adapter is required for other Poles sizes or shapes.



Example: CLP-M56-35CLEd-SYM-30K-MV-BLK-3OD-OAL



Cat #	Wattage	Light Dist.	Color Temp.	Voltage	Finish	Mounting	Options
CLP-M56	20W (20CLEd)	Symmetric (SYM)	3000K (30K)	120-277V (MV)	Black (BLK)	3" OD (3OD)	Opal Acrylic Lens (OAL)
	40W (40CLEd)		4000K (40K)	480V (HV)	White (WHT)		Frosted Acrylic Lens (FAL)
	60W (60CLEd)		5000K (50K)	Silver (SLR)	Clear Acrylic Lens (CAL)		
					Bronze (BRZ)		
					Graphite (GPH)		
					Custom (CST)		



CAT#	A	B	C	EPA
CLP-M56	17" 1/2	19" 3/8	16"OD	1.6

Cat #	Input Power	Lumen Output	LPW	Color Temp. (CCT)	CRI	Rated Life (L70)	Input Voltage	HID Equivalent
CLP-M56-20CLED	25W	3,120	156	5000K	70+	>200,000	120-277V	100W MH
CLP-M56-40CLED	45W	5,475	136	5000K	70+	>200,000	120-277V	150W MH
CLP-M56-60CLED	65W	8,784	146	5000K	70+	>200,000	120-277V	175W MH

Proudly Manufactured and Assembled in the USA



Crystal Lighting
13182 Flores ST.
Santa Fe Springs , CA. 90670
Ph: 562-944-0223
www.crystallighting.us

Proudly manufactured and assembled in the USA