



CL-10 is Designed with a Pyramid Top and includes geometric lines that overlap an opal acrylic lens. This fixture is available in three different sizes to best suit desired specifications. CL-10 is commonly installed in exterior locations such as: Hotels, Restaurants, Public Transportations Facilities and Other Commercial Areas.

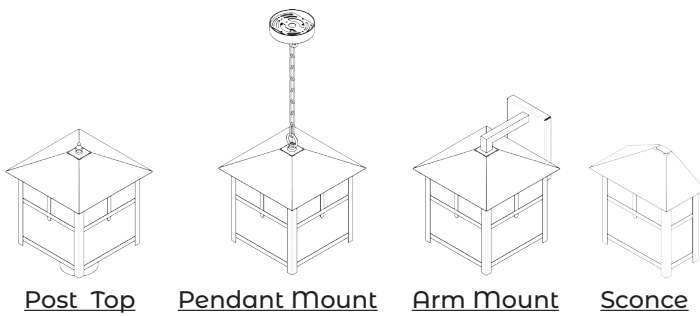
-10year or 10,000 Hour Limited Warranty

Feactures:

- 120/277 Multi-volt
- UL listed for damp and wet locations
- Kelvin: 30K, 40K or 50K
- High efficacient Lumined LED`s

Construction

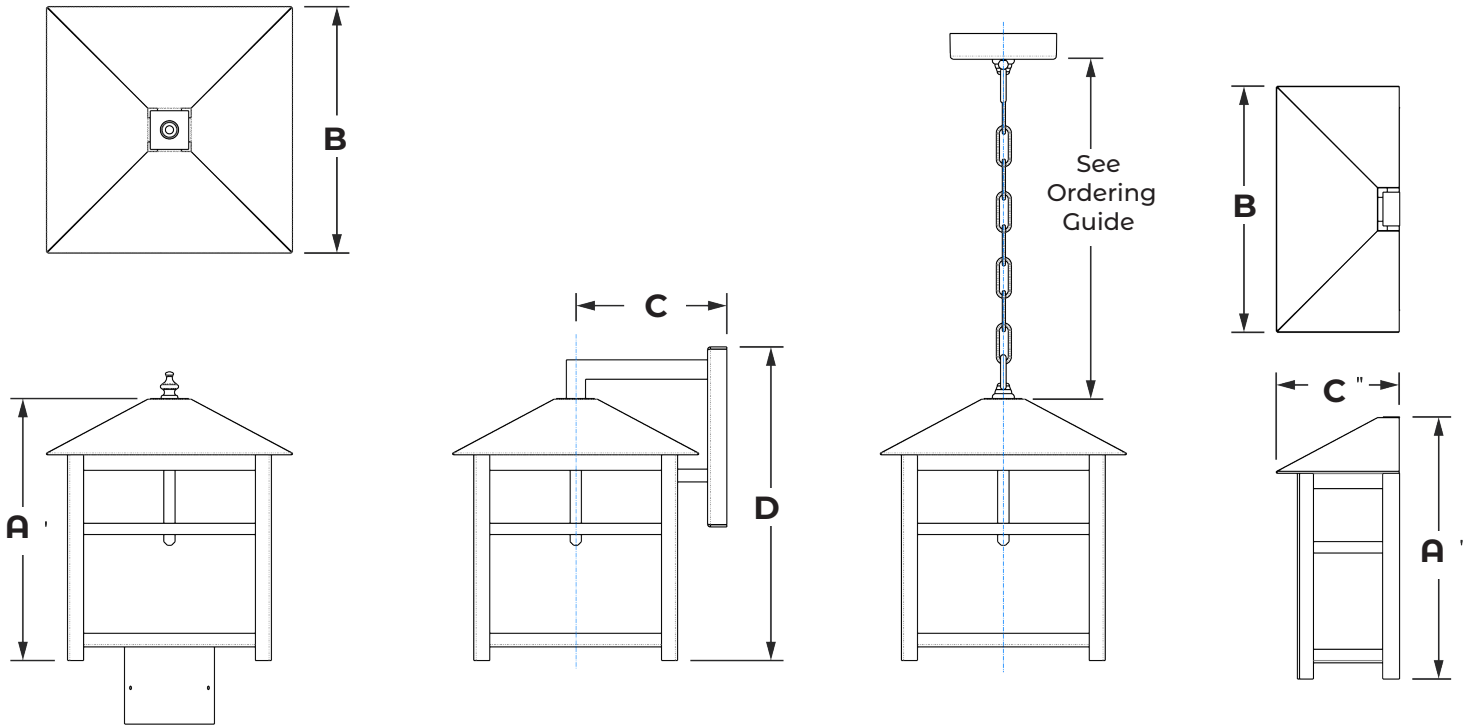
- Housing is Heavy Gauge Aluminum material.
- Frosted Acrylic Lens (Standard)
- Multiple Finishes to choose (See Ordering Guide)



Example: CL-10S-10CLED-30K-MV-BLK-WM-PC

Cat #	Wattage	Color Temp.	Voltage	Finish	Mounting	Options
CL-10 Smal (CL-10S)	5W (5CLED)	3000K (30K)	120-277V (mv)	Matte Black (MBLK)	Sconce (SCN)	Button Photocell (PC)
CL-10 Medium (CL-10M)	10W (10CLED)	4000K (40K)		Glossy Black (GBLK)	Arm Mount (AM)	Micro Wave Sensor (MWS)
CL-10 Large (CL-10L)	20W (20CLED)	5000K (50K)		Texture Black (TBLK)	Post Top (PT)	Emergency Batt. Pack (EMR)
	30W (30CLED)			Silver (SLR)	Pendant Mount Chain	Opal Acrylic Lens (OAL)
	25W (25CLED)			Bronze (BRZ)	1ft (CM1)	
	40W (40CLED)			Graphite (GPH)	2ft (CM2)	
					3ft (CM3)	

Mounting Options



CL-10-PT (Post Top)		
Cat#	A	B
CL-10S	10"	7" 1/2
CL-10M	11"	9" 1/2
CL-10L	15"	11"

CL-10-AM (Arm Mount)				
Cat#	A	B	C	D
CL-10S	10"	7" 1/2	9"	12"
CL-10M	11"	9" 1/2	6" 1/4	13"
CL-10L	15"	11"	7"	17"

CL-10-SCN (Sconce)			
Cat#	A	B	C
CL-10S	10"	7" 1/2	3" 3/4
CL-10M	11"	9" 1/2	4" 3/4
CL-10L	15"	11"	5" 1/2

Cat #	Input Power	Lumen Output	LPW	Color Temp. (CCT)	CRI	Rated Life (L70)	Input Voltage
CL-10S-5CLED	10W	918	183	5000K	70+	>200,000	120-277V
CL-10S-10CLED	15W	1,914	191	5000K	70+	>200,000	120-277V
CL-10S-15CLED	20W	2754	183	5000K	70+	>200,000	120-277V
CL-10s/m-20CLED	25W	2,935	146	5000K	70+	>200,000	120-277V
CL-10m/L-30CLED	35W	4842	161	5000K	70+	>200,000	120-277V
CL-10m/L-35CLED	40W	5320	152	5000K	70+	>200,000	120-277V
CL-10m/L-40CLED	45W	6252	156	5000K	70+	>200,000	120-277V

Proudly Manufactured and Assembled in the USA