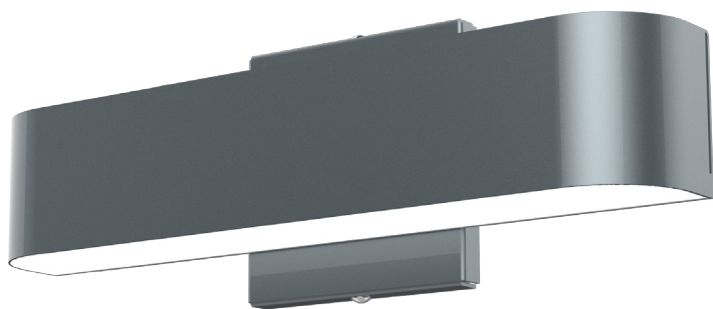


CL-3061 Wall Vanity Light, Adds a touch of modern and elegance to your interiors. Available in multiple finishes to choose from to suit desired requirements. CL-3061 Vanity is commonly Installed in Bathrooms, Powder Rooms, Hallways. CL-3061 is 100% manufactured in the USA.



- Ten year/100,000 hour limited warranty.

Features

- Utilizes high efficient Lumiled LED's
- Operating temperatures: -30°C ~ 60°C
- Driver: Constant current, 120-277v, 50/60Hz.
- Suitable for wet locations
- 0-10 Dimming Driver, Micro Wave Sensor (Optional)

Construction

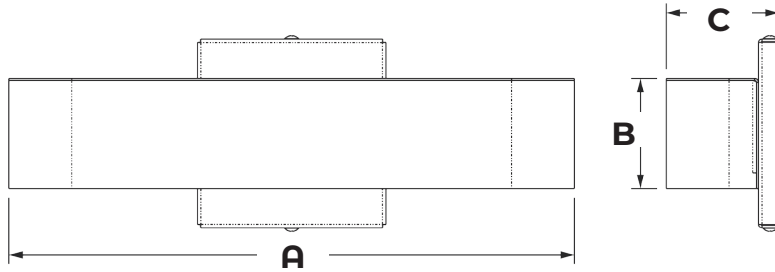
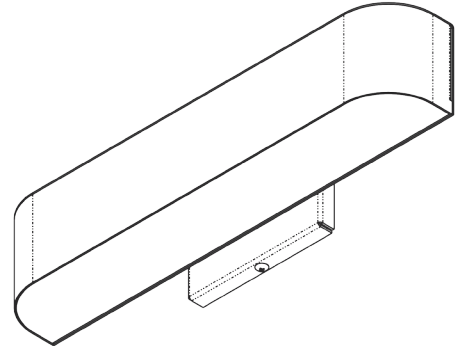
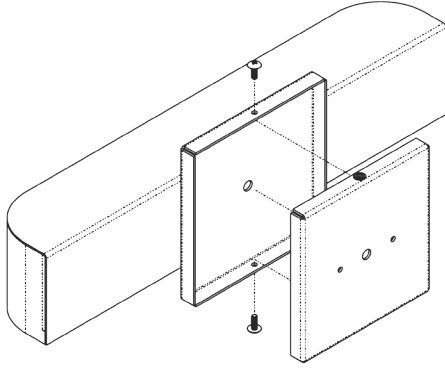
- Housing is heavy-Gauge Aluminum
- 3 Mil Powder Coat Finish.
- Frosted Acrylic Lens (Standard)
- Silicone Gasket to prevent leakage and provide weather-tight protection.
- Mounting: Over 4" "J" Box.



Example: CL-3061-20CLEd-SYM-40K-MV-BZ-MWS



Cat #	Wattage	Light Dist.	Color Temp.	Voltage	Finish	Options
CL-3061	10W (10CLEd) 15W (15CLEd) 20W (20CLEd)	Symmetric (SYM)	3000K (30K) 4000K (40K) 5000K (50K)	120-277V (MV)	Black (BLK) White (WHT) Silver (SLR) Bronze (BRZ) Graphite (GPH) Custom (CST)	Micro Wave Sensor (MWS) Opal Acrylic Lens (OAL)



Dimensions			
Cat#	A	B	C
CL-3061	18	3" 1/2	3" 1/2

Cat #	Input Power	Lumen Output	LPW	Color Temp. (CCT)	CRI	Rated Life (L70)	Input Voltage	HID Equivalent
CL-3061-10CLED	15W	1,914	191	5000K	70+	>200,000	120-277V	50W HPS
CL-3061-15CLED	20W	2,481	165	5000K	70+	>200,000	120-277V	70W HPS
CL-3061-20CLED	25W	2,935	146	5000K	70+	>200,000	120-277V	100W HPS

Proudly Manufactured and Assembled in the USA