

**CLP-Decorative Arms**  
**ARCHITECTURAL ARMS**  
**DESIGN - QUALITY**



**Crystal**   
**Lighting**

# CLP-Decorative Arm 1

# Architectural Arms

Decorative Arm 1 is constructed of Extruded Aluminum Tubing. Mount over Round Poles or Tenons of 3", 3-1/2", 4", 4-1/2", or 5" OD, DA1 and is secured with 3/8" Stainless Steel Set Screws. Contact us for custom configuration or others mounting. All Decorative Arms are Proudly Designed, Fabricated and Assembled in the USA.

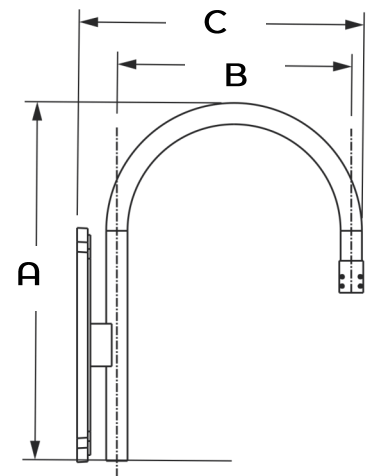
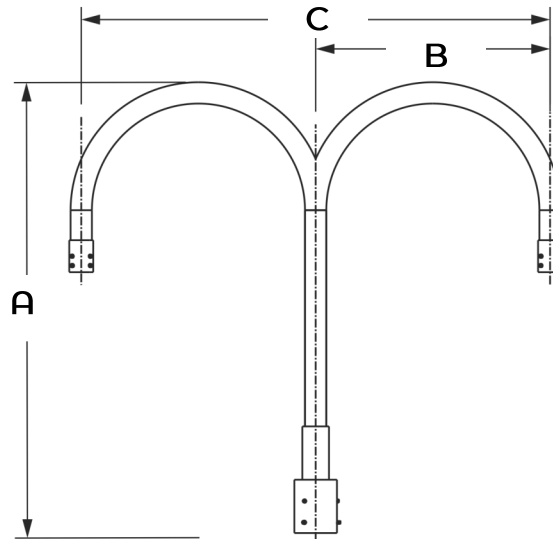
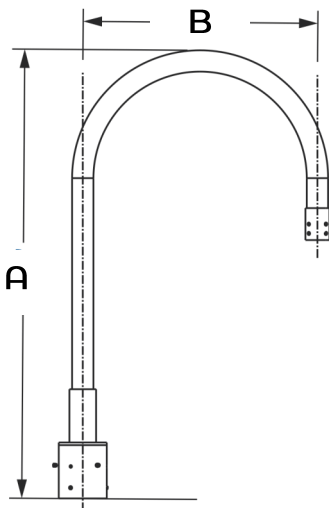
DA1-SGL



DA1-D180



DA1-WM



CAT#	Dimensions			EPA
	A	B	C	
DA1-SGL	42"	22"	-	1.16
DA1-D180	42"	22"	44"	1.33
DA1-WM	33" 1/2	22"	27" 3/4	1.22

Example: (DA1-SGL-3-BLK)

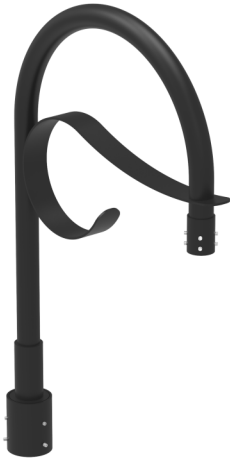
CAT #	MOUNTING	DIAMETER Pole or Tenon	FINISH
Decorative Arm 1 (DA1)	Single (SGL)	3" OD (3)	Bronze (BRZ)
	Double 180° (D180)	3" 1/2 OD (312)	Black (BLK)
	Wall Mount (WM)	4" OD (4)	White (WHT)
		4" 1/2 OD (412)	Silver (SVR)
		5"OD (5)	Grey (GRY)
			Custom (CS)

# CLP-Decorative Arm 2

# Architectural Arms

Decorative Arm 2 is Constructed of Extruded Aluminum Tubing. Mount over Round Poles or Tenons of 3", 3-1/2", 4", 4-1/2", or 5" OD, DA2 and is secured with 3/8" Stainless Steel Set Screws. Contact us for custom configuration or others mounting. All Decorative Arms are Proudly Designed, Fabricated and Assembled in the USA.

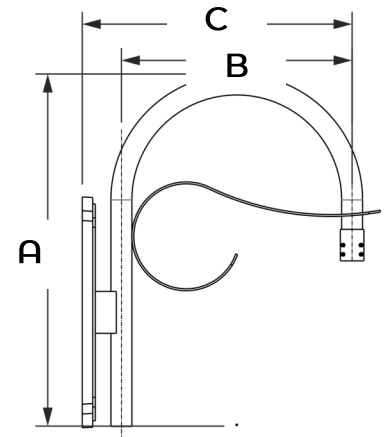
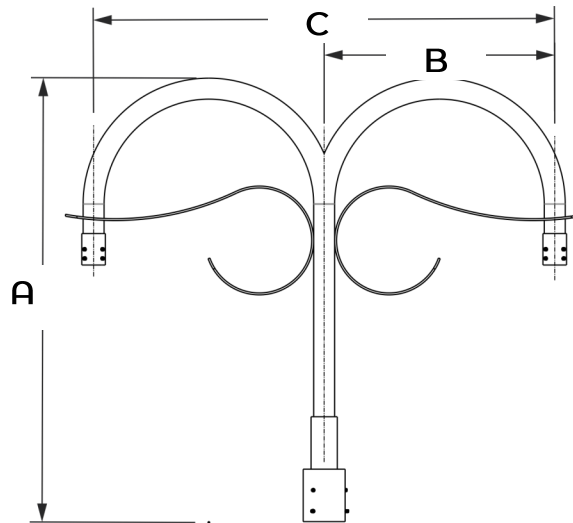
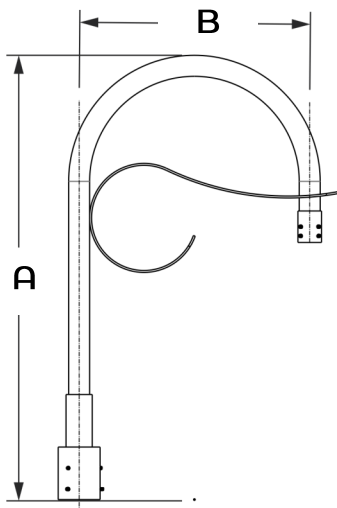
**DA2-SGL**



**DA2-D180**



**DA2-WM**



Dimensions				EPA
CAT#	A	B	C	
DA2-SGL	42"	22"	-	1.18
DA2-D180	42"	22"	44"	1.36
DA2-WM	33" 1/2	22"	27" 3/4	1.25

Example: (DA2-SGL-3-BLK)

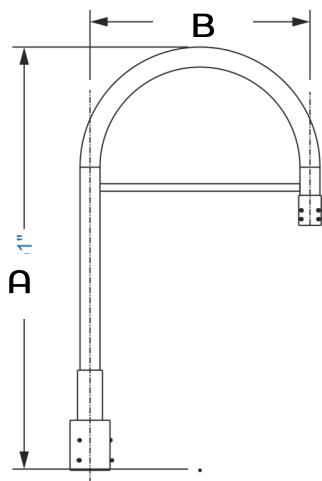
Cat #	Mounting	Pole or Tenon O.D	Finish
Decorative Arm 2 (DA2)	Single (SGL)	3" OD (3)	Bronze (BRZ)
	Double 180° (D180)	3" 1/2 OD (312)	Black (BLK)
	Wall Mount (WM)	4" OD (4)	White (WHT)
		4" 1/2 OD (412)	Silver (SVR)
		5"OD (5)	Grey (GRY)
			Custom (CS)

# CLP-Decorative Arm 3

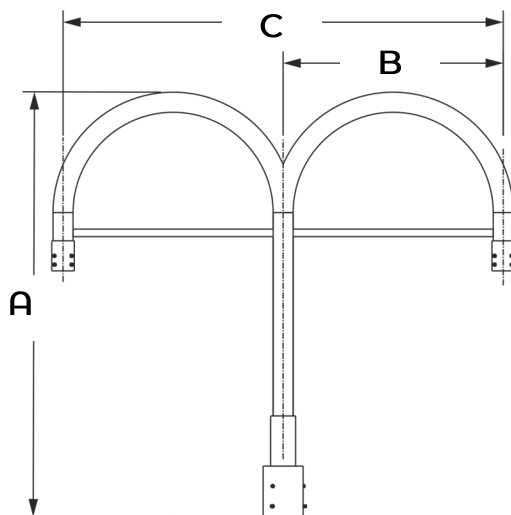
# Architectural Arms

Decorative Arm 3 is Constructed of Extruded Aluminum Tubing. Mount over Round Poles or Tenons of 3", 3-1/2", 4", 4-1/2", or 5" OD, DA3 and is secured with 3/8" Stainless Steel Set Screws. Contact us for custom configuration or others mounting. All Decorative Arms are Proudly Designed, Fabricated and Assembled in the USA.

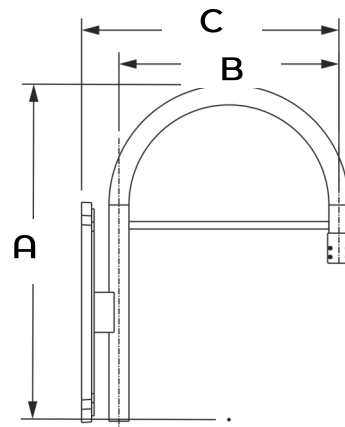
**DA3-SGL**



**DA3-D180**



**DA3-WM**



Dimensions				EPA
CAT#	A	B	C	
DA3-SGL	42"	22"	-	1.18
DA3-D180	42"	22"	44"	1.35
DA3-WM	33" 1/2	22"	27" 3/4	1.26

Example: (DA3-SGL-3-BLK)

Cat #	Mounting	Pole or Tenon O.D	Finish
Decorative Arm 3 (DA3)	Single (SGL)	3" OD (3)	Bronze (BRZ)
	Double 180° (D180)	3" 1/2 OD (312)	Black (BLK)
	Wall Mount (WM)	4" OD (4) 4" 1/2 OD (412) 5"OD (5)	White (WHT) Silver (SVR) Grey (GRY) Custom (CS)

# CLP-Decorative Arm 4

# Architectural Arms

Decorative Arm 4 is Constructed of Extruded Aluminum Tubing. Mount over Round Poles or Tenons of 3-1/2" and, 4" OD, DA4 and is secured with 3/8" Stainless Steel Set Screws. Contact us for custom configuration or others mounting. All Decorative Arms are Proudly Designed, Fabricated and Assembled in the USA.

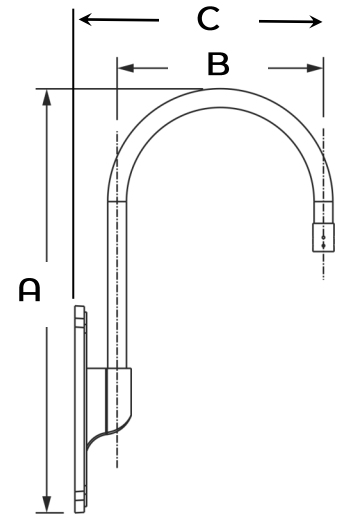
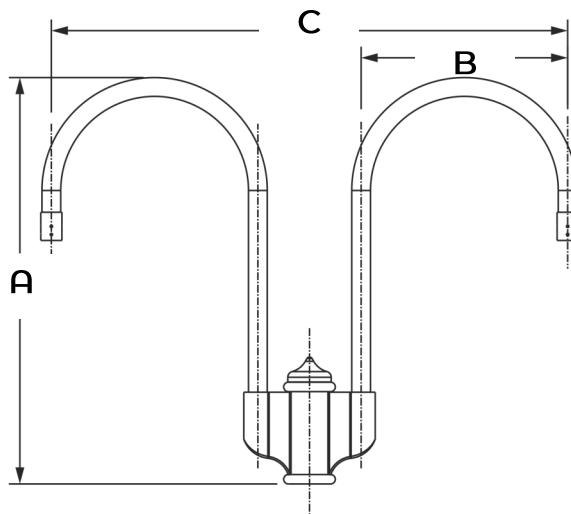
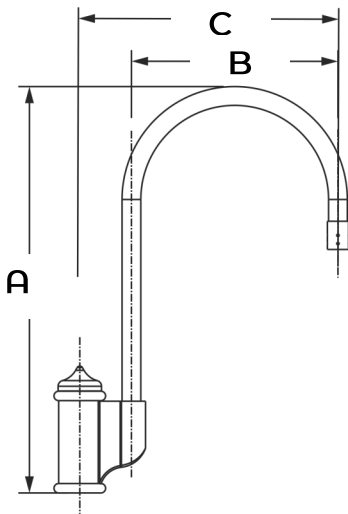
**DA4-SGL**



**DA4-D180**



**DA4-WM**



Dimensions				EPA
CAT#	A	B	C	
DA4-SGL	43"	22"	27" 1/2	1.2
DA4-D180	43"	22"	55"	2.5
DA4-WM	45"	22"	26" 1/2	1.4

Example: (DA4-SGL-312-BLK)

Cat #	Mounting	Pole or Tenon O.D	Finish
Decorative Arm 4 (DA4)	Single (SGL)	3" 1/2 OD (312)	Bronze (BRZ) Black (BLK) White (WHT) Silver (SVR) Grey (GRY) Custom (CS)
	Double 180° (D180)	4" OD (4)	
	Wall Mount (Wm)		

# CLP-Decorative Arm 5

# Architectural Arms

Decorative Arm 5 is Constructed of Extruded Aluminum Tubing. Mount over Round Poles or Tenons of 3", 3-1/2", 4", 4-1/2", or 5" OD, DA5 and is secured with 3/8" Stainless Steel Set Screws. Contact us for custom configuration or others mounting. All Decorative Arms are Proudly Designed, Fabricated and Assembled in the USA.

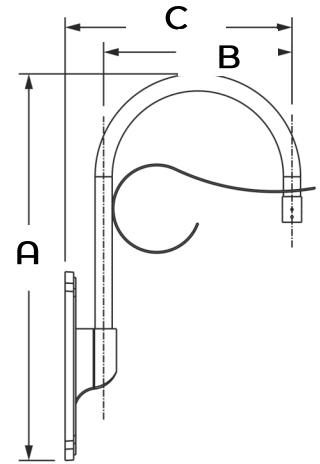
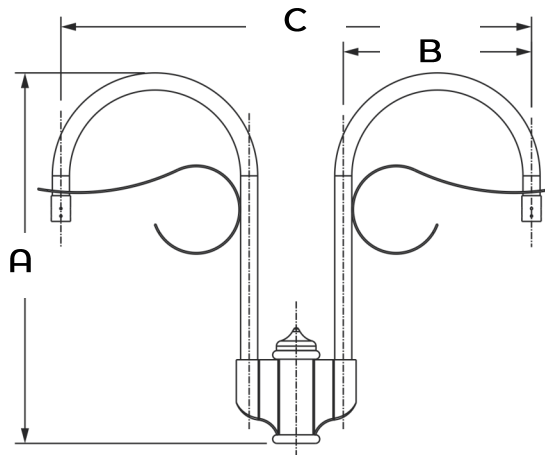
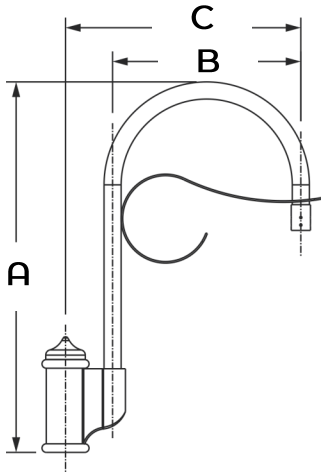
**DA5-SGL**



**DA5-D180**



**DA5-WM**



Dimensions				EPA
CAT#	A	B	C	
DA5-SGL	43"	22"	27" 1/2	1.23
DA5-D180	43"	22"	55"	2.53
DA5-WM	45"	22"	26" 1/2	1.43

Example: (DA5-SGL-312-BLK)

Cat #	Mounting	Pole or Tenon O.D	Finish
Decorative Arm 5 (DA5)	Single (SGL)	3" 1/2 OD (312) 4" OD (4)	Bronze (BRZ) Black (BLK) White (WHT) Silver (SVR) Grey (GRY) Custom (CS)
	Double 180° (D180)		
	Wall Mount (WM)		

# CLP-Decorative Arm 6

# Architectural Arms

Decorative Arm 6 is Constructed of Extruded Aluminum Tubing. Mount over Round Poles or Tenons of 3", 3-1/2", 4", 4-1/2", or 5" OD, DA6 and is secured with 3/8" Stainless Steel Set Screws. Contact us for custom configuration or others mounting. All Decorative Arms are Proudly Designed, Fabricated and Assembled in the USA.

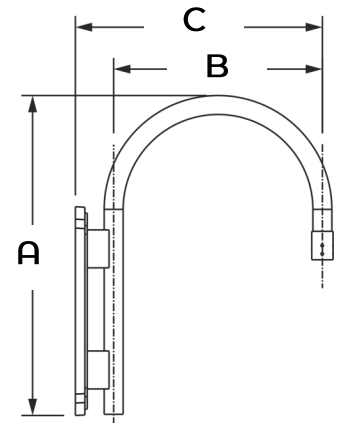
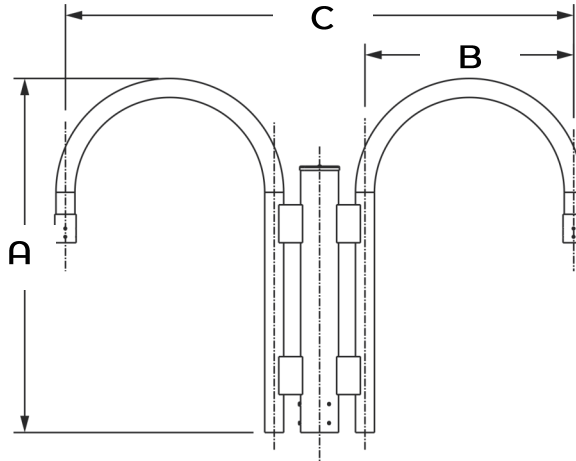
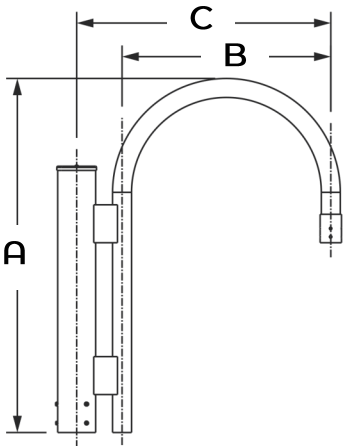
**DA6-SGL**



**DA6-D180**



**DA6-WM**



CAT#	Dimensions			EPA
	A	B	C	
DA6-SGL	37" 3/8	22"	26" 3/4	1.9
DA6-D180	37" 3/8	22"	53" 1/2	3.1
DA6-WM	33" 3/4	22"	26"	1.5

Example: (DA6-SGL-3-BLK)

CAT #	MOUNTING	DIAMETER	FINISH
Decorative Arm 6 (DA6)	Single (SGL)	3" OD (3)	Bronze (BRZ)
	Double 180° (D180)	3" 1/2 OD (312)	Black (BLK)
	Wall Mount (WM)	4" OD (4)	White (WHT)
		4" 1/2 OD (412)	Silver (SVR)
		5"OD (5)	Grey (GRY)
			Custom (CS)

# CLP-Decorative Arm 7

# Architectural Arms

Decorative Arm 7 is Constructed of Cast Aluminum and Extruded Aluminum Fitter. Mount over Round Poles or Tenons of 3", 3-1/2", 4", 4-1/2", or 5" OD, DA7 and is secured with 3/8" Stainless Steel Set Screws. Contact us for custom configuration or others mounting. All Decorative Arms are Proudly Designed, Fabricated and Assembled in the USA.

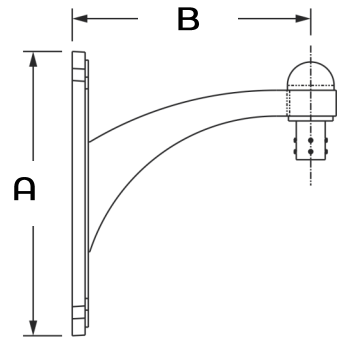
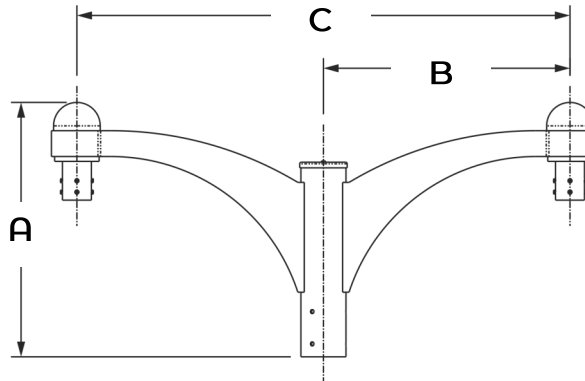
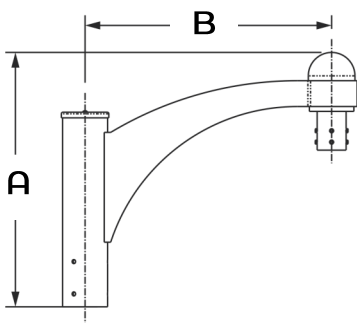
**DA7-SGL**



**DA7-D180**



**DA7-WM**



CAT#	Dimensions			EPA
	A	B	C	
DA7-SGL	19" 3/4	19" 1/4	-	.9
DA7-D180	19" 3/4	19" 1/4	38" 3/8	1.43
DA7-WM	18" 1/2	22"	-	.71

Example: (DA7-SGL-3-BLK)

Cat #	Mounting	Pole or Tenon O.D	Finish
Decorative Arm 7 (DA7)	Single (SGL)	3" OD (3)	Bronze (BRZ) Black (BLK) White (WHT) Silver (SVR) Grey (GRY) Custom (CS)
	Double 180° (D180)	3" 1/2 OD (312)	
	Wall Mount (WM)	4" OD (4)	
		4" 1/2 OD (412)	
		5"OD (5)	



# CLP-Decorative Arm 8

# Architectural Arms

Decorative Arm 8 is Constructed of Extruded Aluminum Tubing. Mount over Round Poles or Tenons of 3", 3-1/2", 4", 4-1/2", or 5" OD, DA8 and is secured with 3/8" Stainless Steel Set Screws. Contact us for custom configuration or others mounting. All Decorative Arms are Proudly Designed, Fabricated and Assembled in the USA.

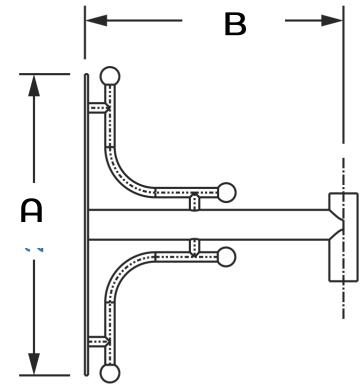
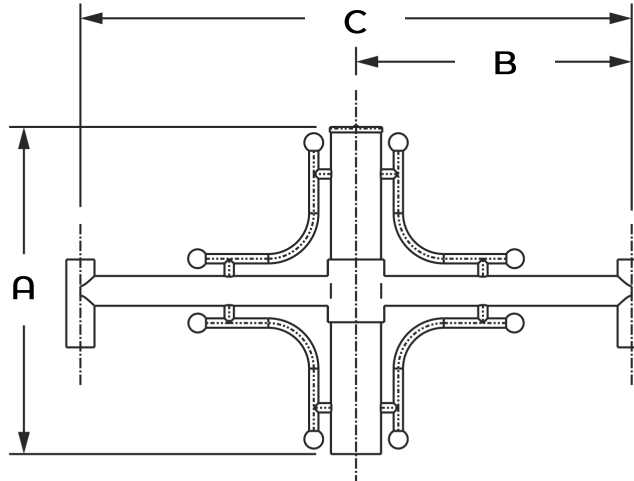
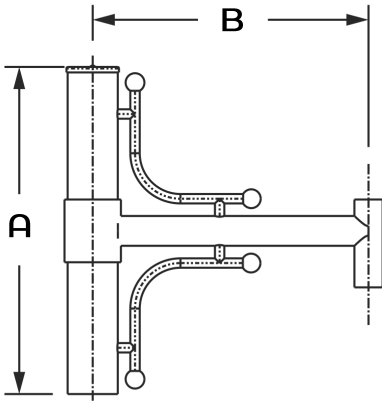
**DA8-SGL**



**DA8-D180**



**DA8-WM**



CAT#	Dimensions			EPA
	A	B	C	
DA8-SGL	26"	22"	-	1.39
DA8-D180	26"	22"	44"	2.03
DA8-WM	24"	20" 5/8	-	.70

Example: (DA8-SGL-3-BLK)

Cat #	Mounting	Pole or Tenon O.D	Finish
Decorative Arm 8 (DA8)	Single (SGL)	3" OD (3)	Bronze (BRZ) Black (BLK) White (WHT) Silver (SVR) Grey (GRY) Custom (CS)
	Double 180° (D180)	3" 1/2 OD (312)	
	Wall Mount (WM)	4" OD (4)	
		4" 1/2 OD (412)	
		5"OD (5)	

# CLP-Decorative Arm 9

# Architectural Arms

Decorative Arm 9 is Constructed of Extruded Aluminum Tubing. Mount over Round Poles or Tenons of 3", 3-1/2", 4", 4-1/2", or 5" OD, DA9 and is secured with 3/8" Stainless Steel Set Screws. Contact us for custom configuration or others mounting. All Decorative Arms are Proudly Designed, Fabricated and Assembled in the USA.

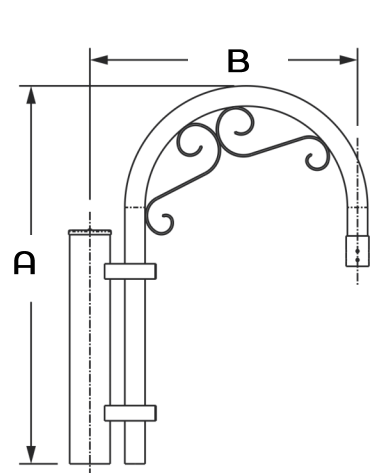
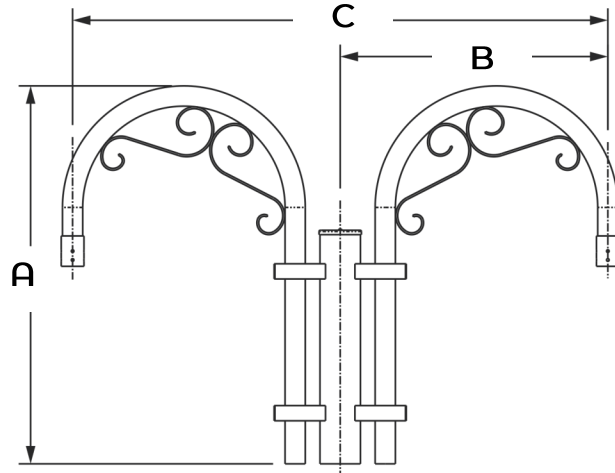
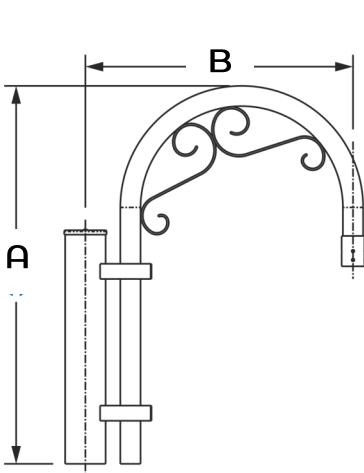
**DA9-SGL**



**DA9-D180**



**DA9-WM**



Dimensions				EPA
CAT#	A	B	C	
DA9-SGL	37" 3/8	26" 1/2	-	1.9
DA9-D180	37" 3/8	26" 1/2	53"	3.1
DA9-WM	34" 7/8	25" 1/4	-	1.5

Example: (DA9-SGL-3-BLK)

Cat #	Mounting	Pole or Tenon O.D	Finish
Decorative Arm 9 (DA9)	Single (SGL)	3" OD (3)	Bronze (BRZ) Black (BLK) White (WHT) Silver (SVR) Grey (GRY) Custom (CS)
	Double 180° (D180)	3" 1/2 OD (312)	
	Wall Mount (WM)	4" OD (4)	
		4" 1/2 OD (412)	
		5"OD (5)	

# CLP-Decorative Arm 10

# Architectural Arms

Decorative Arm 10 is Constructed of Extruded Aluminum Tubing. Mount over Round Poles or Tenons of 3", 3-1/2", 4", 4-1/2", or 5" OD, DA10 and is secured with 3/8" Stainless Steel Set Screws. Contact us for custom configuration or others mounting. All Decorative Arms are Proudly Designed, Fabricated and Assembled in the USA.

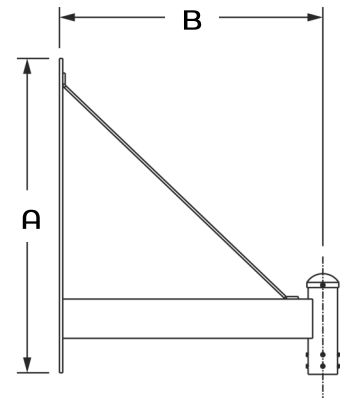
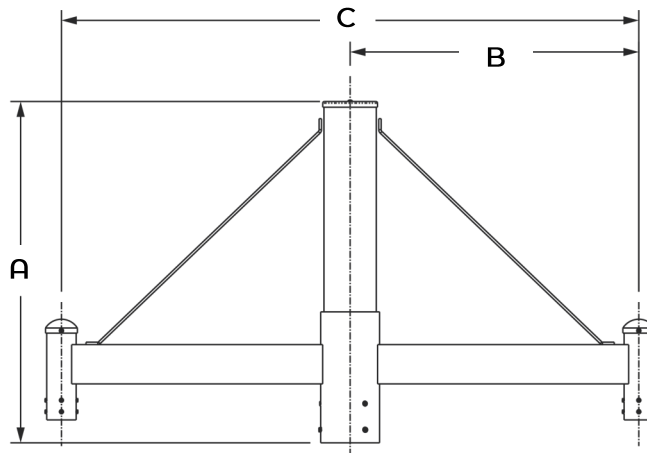
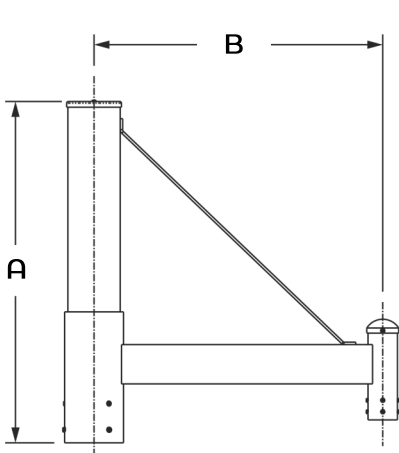
**DA10-SGL**



**DA10-D180**



**DA10-WM**



Dimensions				EPA
CAT#	A	B	C	
DA10-SGL	26	22"	-	1.27
DA10-D180	26	22"	44"	1.82
DA10-WM	26	22"	-	.7

Example: (DA10-SGL-3-BLK)

Cat #	Mounting	Pole or Tenon O.D	Finish
Decorative Arm 10 (DA10)	Single (SGL)	3" OD (3)	Bronze (BRZ)
	Double 180° (D180)	3" 1/2 OD (312)	Black (BLK)
	Wall Mount (WM)	4" OD (4)	White (WHT)
		4" 1/2 OD (412)	Silver (SVR)
		5"OD (5)	Grey (GRY)
			Custom (CS)

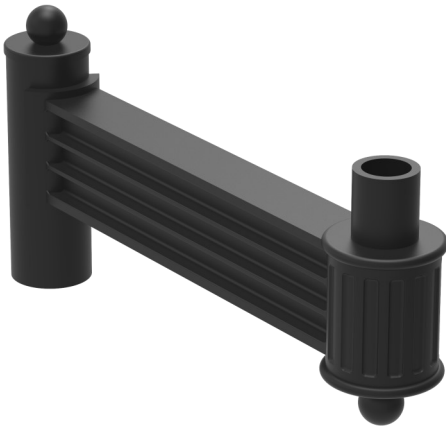
# CLP-X155

# Architectural Arms

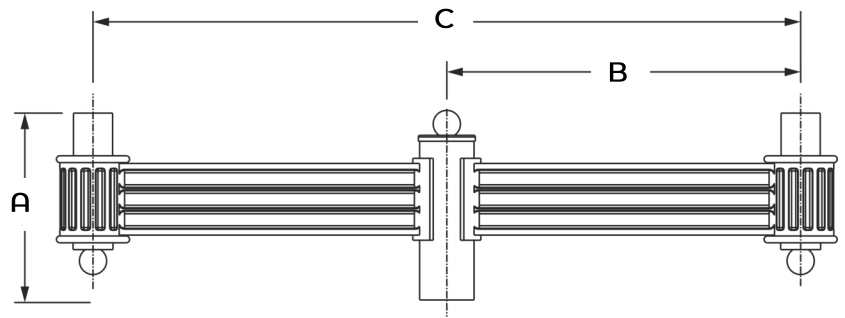
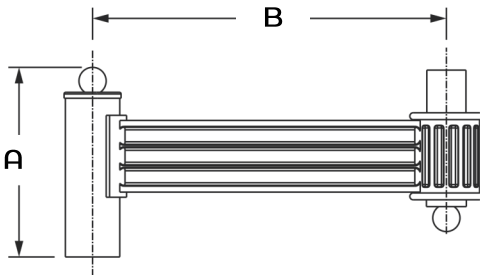
CLP-X155 is Constructed of Cast Aluminum . Mount over Round Poles or Tenon of 3", 3-1/2", and 4" O.D., CLP-X155 is secured with 3/8" Stainless Steel Set Screws.

Contact us for custom configuration or others mounting. All Decorative Arms are Proudly Designed, Fabricated and Assembled in the USA.

**CLP-X155-SGL**



**CLP-X155-D180**



Dimensions				EPA
CAT#	A	B	C	
CLP-X155-SGL	14	26"	-	1.45
CLP-X155-D180	14	26"	52"	2.55

Example: (CLP-X155-SGL-3-BLK)

Cat #	Mounting	Pole or Tenon O.D	Finish
CLP-X155 (CLP-X155)	Single (SGL) Double 180° (D180)	3" OD (3) 3" 1/2 OD (312) 4" OD (4)	Bronze (BRZ) Black (BLK) White (WHT) Silver (SVR) Grey (GRY) Custom (CS)

# CLP-X11

# Architectural Arms

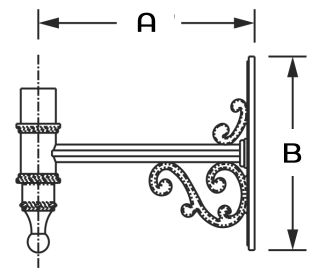
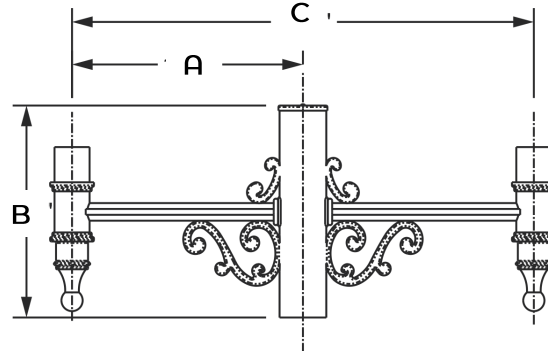
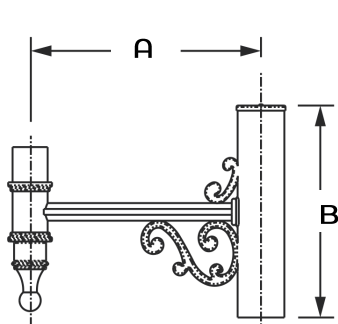
CLP-X11 is Constructed of Cast Aluminum . Mount over Round Poles or Tenon of 3", 3-1/2", and 4" O.D., CLP-X11 is secured with 3/8" Stainless Steel Set Screws.

Contact us for custom configuration or others mounting. All Decorative Arms are Proudly Designed, Fabricated and Assembled in the USA.

**CLP-X11-SGL**

**CLP-X11-D180**

**CLP-X11-WM**



Dimensions (Average)					
CAT#	SIZE	A	B	C	EPA
CLP-X11-SGL	SM	8" 3/4	18	-	.7
	MED	11"	18	-	.8
	LG	14"	18	-	.9
	XLG	20"	18	-	1.07
CLP-X11-D180	SM	8" 3/4	18	18	1.3
	MED	11"	18	22	1.4
	LG	14"	18	28	1.5
	XLG	20"	18	40	1.64

Dimensions (Average)					
CAT#	SIZE	A	B	EPA	
CLP-X11-WM	SM	6" 3/4	9	.3	
	MED	9"	12	.4	
	XLG	18"	22	.64	

Example: (CLP-X11-SGL-3-BLK)

CLP-X11			
Cat #	Mounting	Pole or Tenon O.D	Finish
CLP-X11	Wall Mount (WM)	3" OD (3)	Bronze (BRZ)
	Single (SGL)	3" 1/2 OD (312)	Black (BLK)
	Double 180° (D180)	4" OD (4)	White (WHT)
			Silver (SVR)
			Grey (GRY)
			Custom (CS)

# CLP-246B

# Architectural Arms

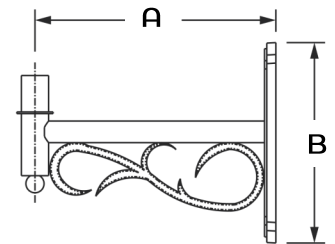
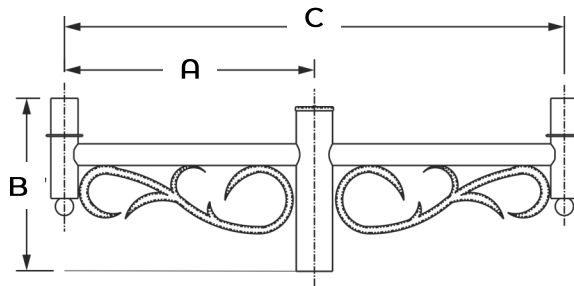
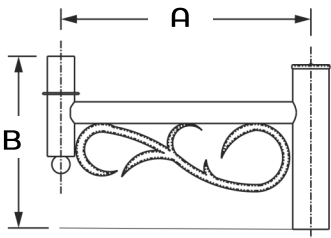
CLP-246B is Constructed of Cast Aluminum . Mount over Round Poles or Tenon of 3", 3-1/2", and 4" O.D., CLP-246B is secured with 3/8" Stainless Steel Set Screws.

Contact us for custom configuration or others mounting. All Decorative Arms are Proudly Designed, Fabricated and Assembled in the USA.

CLP-246B-SGL

CLP-246B-D180

CLP-246B-WM

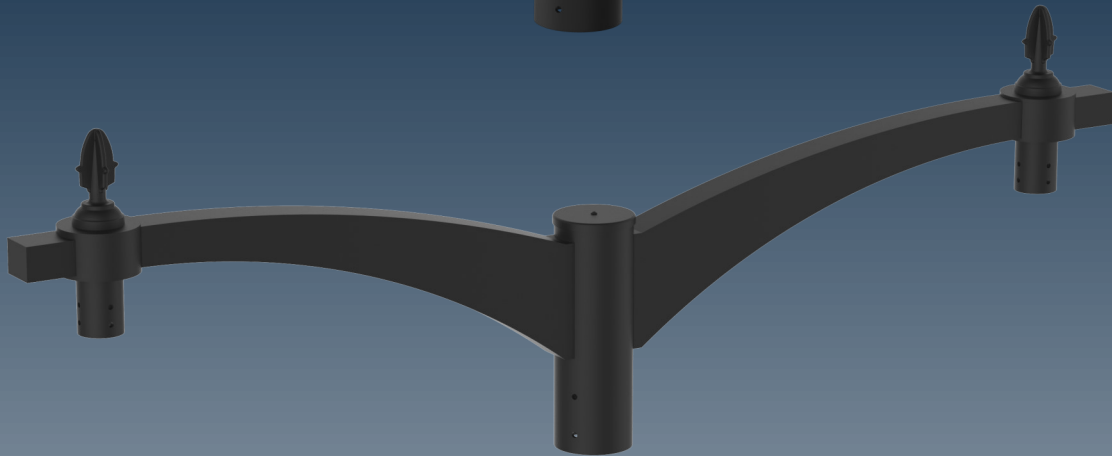
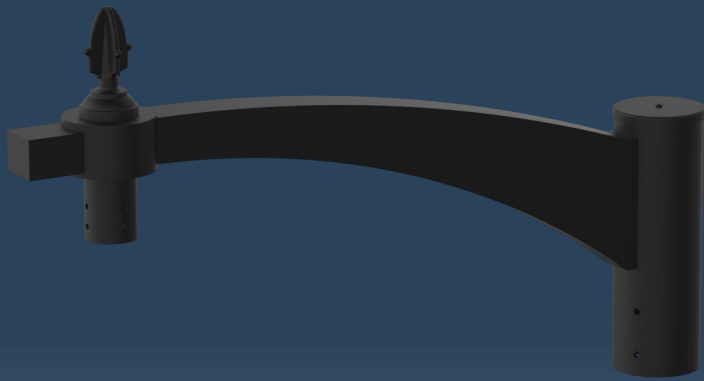


Dimensions (Average)				
CAT#	A	B	C	EPA
CLP-246-WM	18"	20"	-	1.11
CLP-246B-SGL	20	18	-	1.43
CLP-246B-180	20	18	40	2.36



Example: (CLP-246B-SGL-3-BLK)

CLP-246B			
Cat #	Mounting	Pole or Tenon O.D	Finish
CLP-246B	Wall Mount (WM)	3" OD (3)	Bronze (BRZ)
	Single (SGL)	3" 1/2 OD (312)	Black (BLK)
	Double 180° (D180)	4" OD (4)	White (WHT)
			Silver (SVR)
			Grey (GRY)
			Custom (CS)



**Crystal Lighting Corp.**  
13182 Flores St,  
Santa Fe Springs, CA 90670  
Ph: 562-944-0223  
Fax: 562-944-0225  
[www.crystallighting.us](http://www.crystallighting.us)

All products are proudly manufactured and/or assembled in the USA