

CLP-X11

Architectural Arms

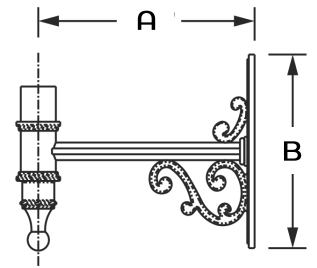
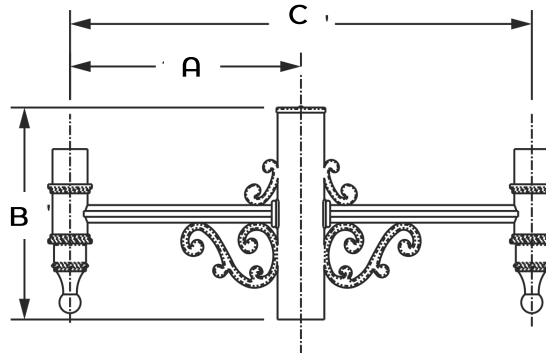
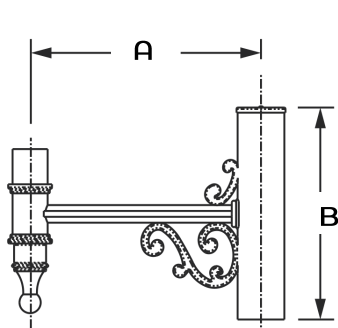
CLP-X11 is Constructed of Cast Aluminum . Mount over Round Poles or Tenon of 3", 3-1/2", and 4" O.D., CLP-X11 is secured with 3/8" Stainless Steel Set Screws.

Contact us for custom configuration or others mounting. All Decorative Arms are Proudly Designed, Fabricated and Assembled in the USA.

CLP-X11-SGL

CLP-X11-D180

CLP-X11-WM



Dimensions (Average)					EPA
CAT#	SIZE	A	B	C	
CLP-X11-SGL	SM	8" 3/4	18		
	MED	11"	18		
	LG	14"	18		
	XLG	20"	18		
CLP-X11-D180	SM	8" 3/4	18	18	
	MED	11"	18	22	
	LG	14"	18	28	
	XLG	20"	18	40	

Dimensions (Average)					EPA
CAT#	SIZE	A	B	C	
CLP-X11-WM	SM	6" 3/4	9		
	MED	9"	12		
	XLG	12"	16		

Example: (CLP-X11-SGL-3-BLK)

CLP-X11			
Cat #	Mounting	Pole or Tenon O.D	Finish
CLP-X11	Wall Mount (WM)	3" OD (3)	Bronze (BRZ)
	Single (SGL)	3" 1/2 OD (312)	Black (BLK)
	Double 180° (D180)	4" OD (4)	White (WHT)
			Silver (SVR)
			Grey (GRY)
			Custom (CS)