

CL-2282 Industrial LED High Bay Fixture, suitable for wet locations, designed to mount on ceilings up to 20 ft. Heights in Factories, Foundries, Machines Shops, Warehouse, Large Retail Stores, Gymnasiums and Indoor Sport Arenas. This fixture has a wide light distribution.

10 Year / 100,000 Hour Limited Warranty.

Features:

- Energy Savings: Over 66% compared to HID light sources.
- Improved lumen maintenance.
- High efficient Lumiled LED's.
- Operating temperatures: -30°C ~ 60°C.
- Driver: Constant current, 120-277v, 50/60Hz, 480v (Optional).
- Suitable for Wet Locations.
- Options: Occupancy Sensors or Wireless Controls.
- Operating Life: >60,000 hours

Construction:

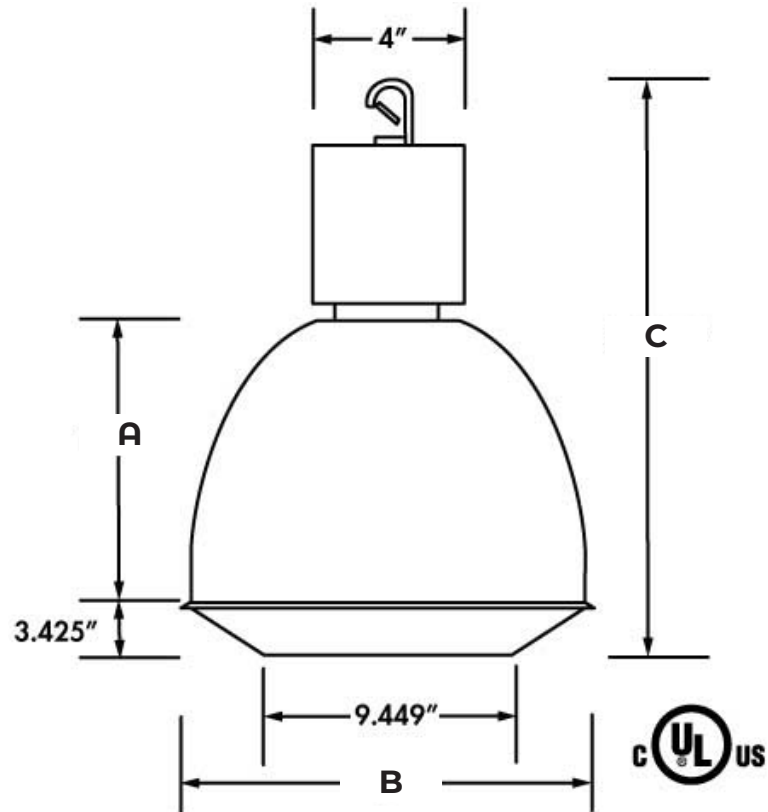
- Heavy-Duty Aluminum Spun Housing.
- 3 Mill Powder Coat Finish, (Various colors available) (Custom).
- Conical Drop Lens or Prismatic Drop Lens (Optional)
- Silicone Gasket to prevent leakage and provide IP-66 Rated Product.
- Mounting: Hook (Standard) or 3/4" Threaded HUB (Optional)



Example: CL-2282-L-50CLEd-40K-MV-BRZ-HK-OCC



Cat #	Wattage	Color Temp.	Voltage	Color	Mounting	Options
CL-2282-S	50W (50CLEd)	3000K (30K)	120-277V (MV)	Black (BLK)	Hook (HK) 3/4 HUB (34H)	Motion Sensor (OCC)
	75W (75CLEd)	4000K (40K)	480V (HV)	White (WH)		Wireless Control (WC)
CL-2282-L	----- 100W (100CLEd)	5000K (50K)		Bronze (BRZ)		Conical Drop Lens (CDL)
	120W (120CLEd)			Silver (SIL)		Prismatic Drop Lens (PDL)
	150W (150CLEd)			Graphite (GPH)		
				Custom (CST)		



Dimensions			
Cat#	A	B	C
CL-2282-S	10" 1/2	16" 1/4	22" 1/4
CL-2282-L	13" 3/8	22" 1/4	25"

Cat #	Input Power	Lumen Output	LPW	Color Temp. (CCT)	CRI	Rated Life (L70)	Input Voltage	HID Equivalent	HID Equivalent
CL-2282-S-50CLED	85W	9,097	181	5000K	70+	>200,000	120-277V	50/60HZ	210W MH
CL-2282-S-75CLED	80W	11,784	157	5000K	70+	>200,000	120-277V	50/60HZ	250W MH
CL-2282-L-100CLED	105W	16,834	168	5000K	70+	>200,000	120-277V	50/60HZ	
CL-2282-L-120CLED	125W	20,201	168	5000K	70+	>200,000	120-277V	50/60HZ	400W HPS
CL-2282-L-150CLED	155W	23,346	155	5000K	70+	>200,000	120-277V	50/60HZ	

Proudly Manufactured and Assembled in the USA