

Mission LED
Street LED Luminaire
DESIGN-FUNCTION-QUALITY

Crystal Lighting Corp.





Mission-LED Street LED Luminaire, ideal for street or municipal Lighting Projects, Pedestrian or Urban Centers
Mission-LED bring the latest LED Technology into Historical and Tradicional communities, Our cutting edge CL-Optical System provided excellent uniformity. Type 2, 3, 4 and 5, in 30K, 40K or 50K Color Temperature Available.

- Dark Sky Friendly
- 10 year/100,000 hour limited warranty

Features.

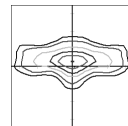
- Energy Savings: Over 66% compared to HID light sources
- Improved lumen maintenance
- Utilizes high efficient Lumiled LED's
- Operating temperatures: -30°C ~ 60°C
- 10Kv Surge Protector (standard)
- IP66 Rated
- 0-10 Dimming Driver, Occupancy Sensors, Photo Cell, and Wireless Controls (Optional)

Construction.

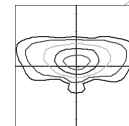
- Housing is Heavy-Duty Cast Aluminum.
- 3 Mils Powder Coat Finish
- CL-Optic System (Standard)
- Silicone Gasket to prevent leakage and provide weather-tight protection
- Mounting: Mast Arm over 2"3/8 O.D Arm (See Arm Options)



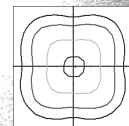
OPTIC DISTRIBUTION



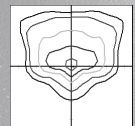
TYPE 2 (T2)



TYPE 3 (T3)



TYPE 4 (T4)

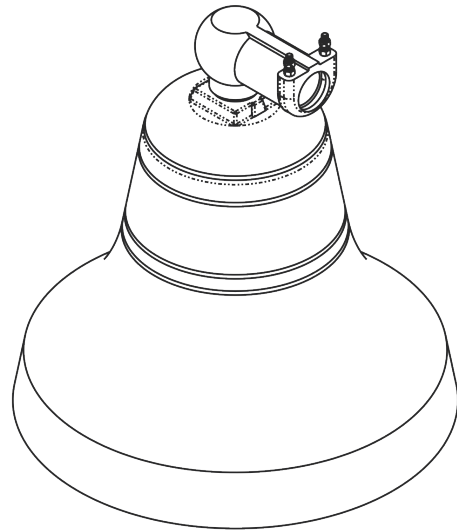
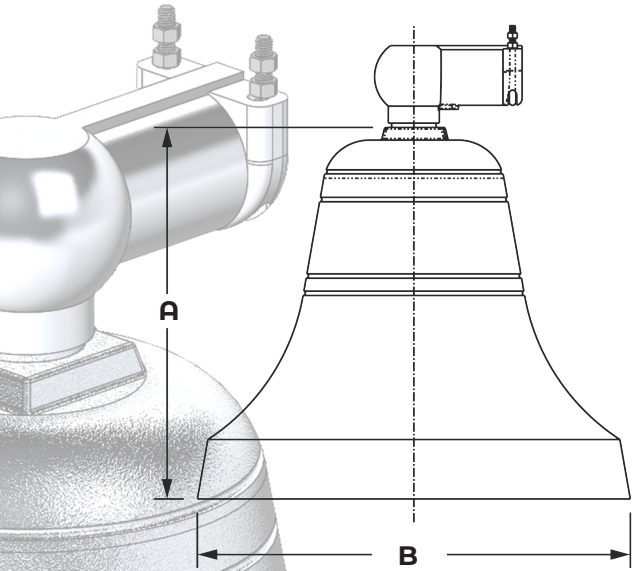


TYPE 5 (T5)

Example: MIS-50W-T5-30K-MV-BLK-MA-PC)

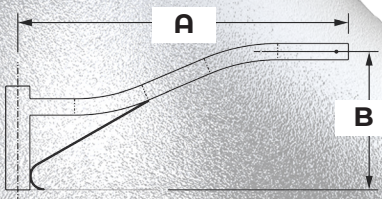


Cat #	Wattage	Light Dist.	Color Temp.	Voltage	Finish	Mounting	Options
Mission-LED (MIS)	40W (40CLED)	Type 2 (T2)	3000K (30K)	120-277V (MV)	Black (BLK)	Mast Arm (MA)	Button Photocell (PC)
	50W (50CLED)	Type 3 (T3)	4000K (40K)	480V (HV)	White (WHT)		Photocell Receptacle (PCR)
	80W (80CLED)	Type 4 (T4)	5000K (50K)		Silver (SLR)		Photocell 7PIN (P7P)
	100W (100CLED)	Type 5 (T5)			Bronze (BRZ)		Photocell 5PIN (P5P)
	120W (120CLED)				Graphite (GPH) Custom (CST)		

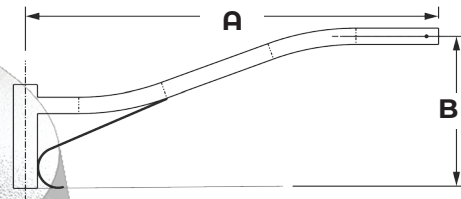


CAT#	A	B	EPA
MIS	21" 7/8	25" 1/2	2.3

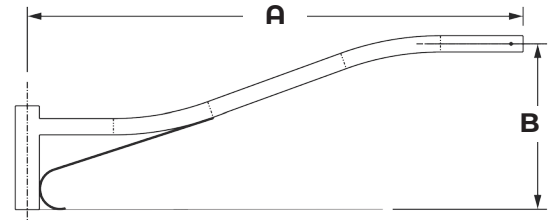
Optional Arms



RWY-A48



RWY-A60



RWY-A72

Dimensions			SGL	DBL
CAT#	A	B	EPA	
RWY-A48	48"	20"	1.35	2.25
RWY-A60	60"	22"	1.55	2.65
RWY-A72	72"	24"	1.75	2.85

Cat #	Input Power	Lumen Output	LPW	Color Temp. (CCT)	CRI	Rated Life (L70)	Input Voltage	HID Equivalent
MIS-40CLED	45W	6,492	162	5000K	70+	>200,000	120-277V	150W MH
MIS-50CLED	55W	7,780	155	5000K	70+	>200,000	120-277V	250W MH
MIS-80CLED	85W	9,590	119	5000K	70+	>200,000	120-277V	250W PSMH
MIS-100CLED	105W	12,306	123	5000K	70+	>200,000	120-277V	250W HPS
MIS-120CLED	125W	16,012	133	5000K	70+	>200,000	120-277V	400W MH

Proudly Manufactured and Assembled in the USA



Crystal Lighting
13182 Flores ST.
Santa Fe Springs , CA. 90670
Ph: 562-944-0223
www.crystallighting.us

Proudly manufactured and assembled in the USA