

ODIN-B

Architectural LED Bollard

DESIGN - QUALITY



Crystal 
Lighting



PROJECT NAME			
TYPE		DATE	
NOTES			

Odin-B

Architectural LED Bollard



Odin-B is Designed with a Sophisticated Look. It is built with Aluminum 6061-T5 Body, Cast Aluminum Base and is Assembled with a Opal Acrylic Lens for durability. The Odin Bollard is ideal for Exterior Locations such as Pedestrian Walkways, Exterior Grounds of Office, Apartment Buildings, Hotels and Parks.

-10 year/100,000 hour limited warranty.

FEATURES

- Energy Savings: Over 66% compared to HID light sources
- Improved lumen maintenance
- Utilizes high efficient Lumiled LED's
- Operating temperatures: -30°C ~ 60°C
- 10Kv Surge Protector. (standard)
- IP-66 Rated
- 0-10 Dimming Driver, Photocell , Wireless Controls Optional.

CONSTRUCTION

- Housing, Heavy-Duty Aluminum
- Cast Base Plate
- 3Mil Powder Coating Finish (Standard)
- Opal Acrylic Lens (Standard)
- (3x) 3/8 x 12" Long Hot Dip Galvanized Anchor Bolt

Example: (ODN-B-36-SH1-SYM-15CLELED-30K-MV-BLK-PC)



ODN-B	Cat #	Height	Shade	Distr.	Wattage	Color Temp.	Voltage	Color	Options
Odin-B (ODN-B)	36" (36)	Shade 1 (SH1)	Symmetric (SYM)		15W (15CLELED)	3000K (30K)	120-277V (MV)	Black (BLK)	Photocell (PC)
	42" (42)	Shade 2 (SH2)			20W (20CLELED)	4000K (40K)	480V (HV)	White (WH)	Wireless Controls (WC)
	Custom (CST)				30W (30CLELED)	5000K (50K)		Bronze (BRZ) Gray (GRY) Graphite (GPH) Marine Grade (MG)	Anchor Bolt Kit (4) 3/8 x 12" Long Anchor Bolts (BAK12)

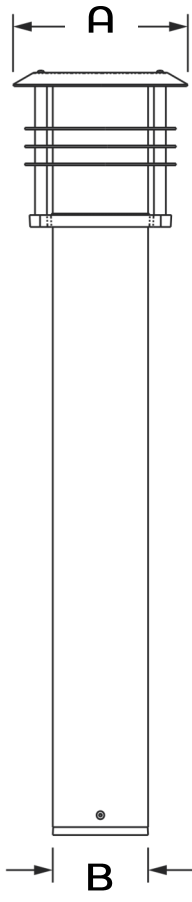
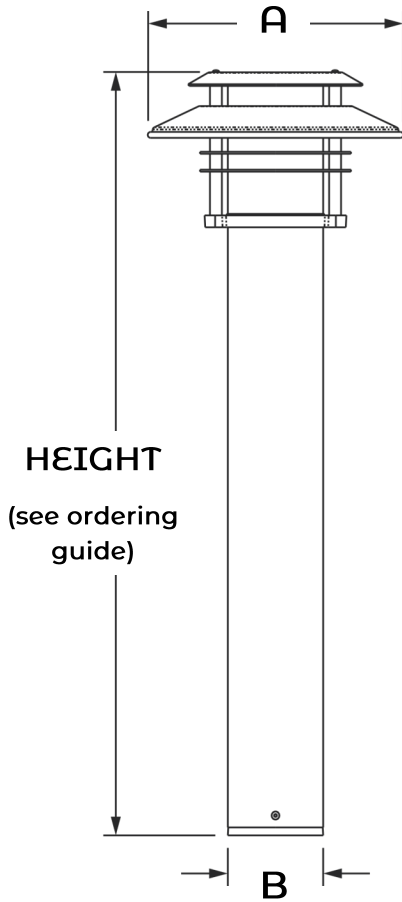
Crystal Lighting Corp. 13182 Flores St, Santa Fe Spring, CA 90670 Ph: 562-944-0223 Fax: 562-944-0225

www.crystallighting.us

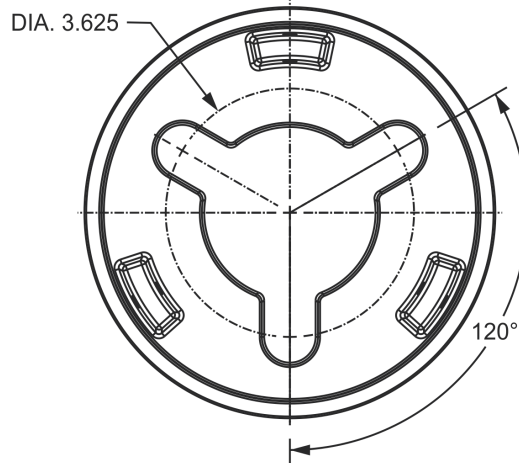
All products are proudly manufactured and/or assembled in the USA

ODN-B-SH2

ODN-B-SH1



Dimensions		
CAT#	A	B
ODN-B-SH1	11"	6"
ODN-B-SH2	16"	6"



(3x) 3/8 x 12" Long Anchors

Cat #	Input Power	Lumen Output	LPW	Color Temp. (CCT)	CRI	Rated Life (L70)	Input Voltage	Input Frequency
ODN-B-15CLED	20W	2,754	183	5000K	70+	>200,000	120-277V	50/60HZ
ODN-B-20CLED	25W	3,308	165	5000K	70+	>200,000	120-277V	50/60HZ
ODN-B-30CLED	35W	4,403	146	5000K	70+	>200,000	120-277V	50/60HZ

All products are proudly manufactured and/or assembled in the USA



Crystal Lighting Corp.
13182 Flores St,
Santa Fe Springs, CA 90670
Ph: 562-944-0223
Fax: 562-944-0225
www.crystallighting.us

All products are proudly manufactured and/or assembled in the USA