

The CL-3051 displays a simple yet sophisticated look. It is available in two different sizes to suit desired specifications. This fixture is ideal for wall mount applications; some locations include: residential, institutional, and multifamily locations. This fixture works best in damp locations. The CL-3051 fixture offers competitive pricing and includes a 10 year warranty.

FEATURES

- MV—120~277, Philips driver
- UL listed for damp locations
- Other options to include available upon request (see ordering guide)
- 10 year warranty

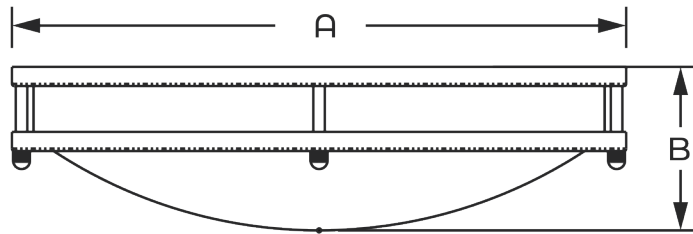
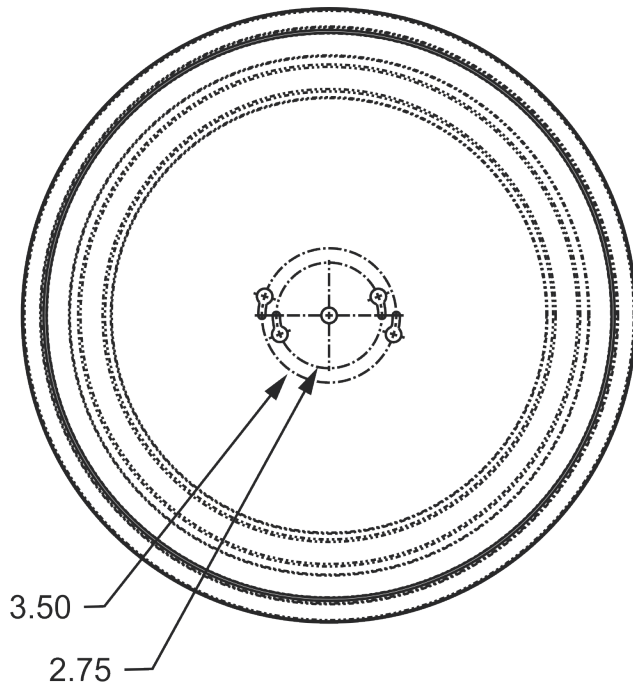
CONSTRUCTION.

- Housing is aluminum material
- Top opal acrylic lens (standard)
- Brushed nickel finish (standard)



Example: CL-3051-10CLEDD-30K-MV-BN-CM-EMR

Cat #	Wattage	Color Temp.	Voltage	Finish	Mounting	Options
CL-3051 S (CL-3051-S)	10W (10CLEDD)	3000K (30K)	120-277V (MV)	White (WHT)	Ceiling Mount (CM)	Occupancy Sensor (OCC) Emergency Batt. Pack (EMR) Bi-Level Dimming (BLD)
CL-3051 L (CL-3051-L)	20W (25CLEDD) 28W (28CLEDD)	4000K (40K) 5000K (50K)		Brush Nikcle (BN)		



Dimensions		
Cat#	A	B
CL-3051-S	10"	3" 1/2
CL-3051-L	16"	4" 3/8

Cat #	Input Power	Lumen Output	LPW	Color Temp. (CCT)	CRI	Rated Life (L70)	Input Voltage
CL-3051-S-10CLED	15W	1,430	143	5000K	70+	>200,000	120-277V
CL-3051-L-20CLED	25W	2,950	147	5000K	70+	>200,000	120-277V
CL-3051-L-28CLED	32W	3,000	107	5000K	70+	>200,000	120-277V

Proudly Manufactured and Assembled in the USA