

Pulsar Bollard
Architectural LED Bollard
DESIGN-FUNCTION-QUALITY



Crystal Lighting Corp.





Pulsar Bollard Designed with a Sleek and Clean Appearance, Modern Style, downward light distribution, and Dark Sky Compliant.

Pulsar Bollard is available in Type 2, 3 and 5 Light Distribution, Optional Vandal-Resistant Base, 3 Mil Powder Coat Finish, 3/8 x 10" Long Anchor Bolts (Included). Optional 15W, 20W, 30W or 40W System. Ideal for Lighting Pedestrian Walkways and Accenting the Exterior Grounds of Office and Apartment Buildings, Hotel and Parks.

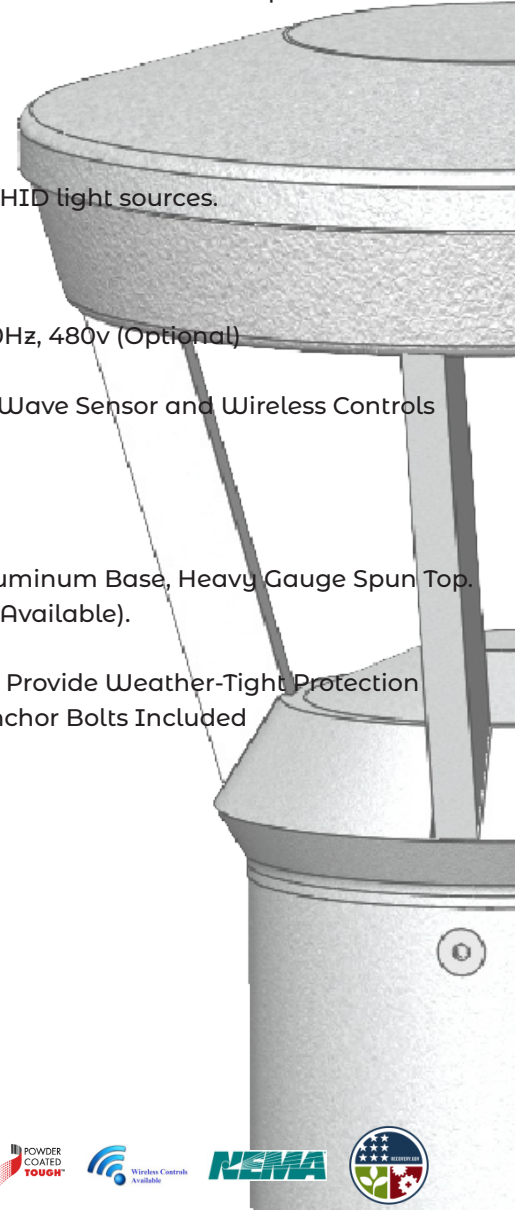
- 10 Year Limited Warranty.

Features

- Energy Savings: Over 66% compared to HID light sources.
- Improved lumen maintenance
- High efficient LED's
- Operating temperatures: -30°C ~ 60°C.
- Driver: Constant current, 120~277v, 50/60Hz, 480v (Optional)
- Suitable for wet locations.
- 0-10 Dimming Driver, Photo Cell, Micro Wave Sensor and Wireless Controls (Optional).
- Operating Life: >200,000 hours.

Construction

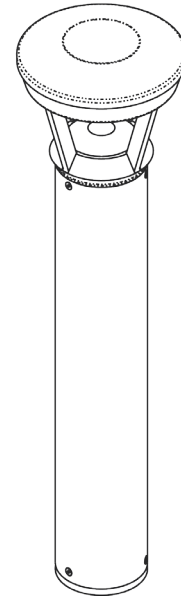
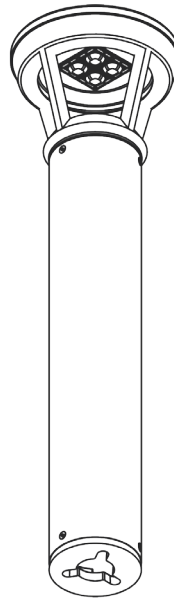
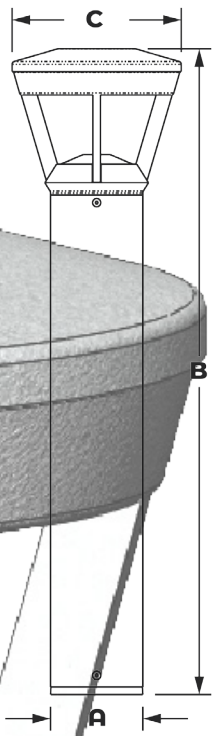
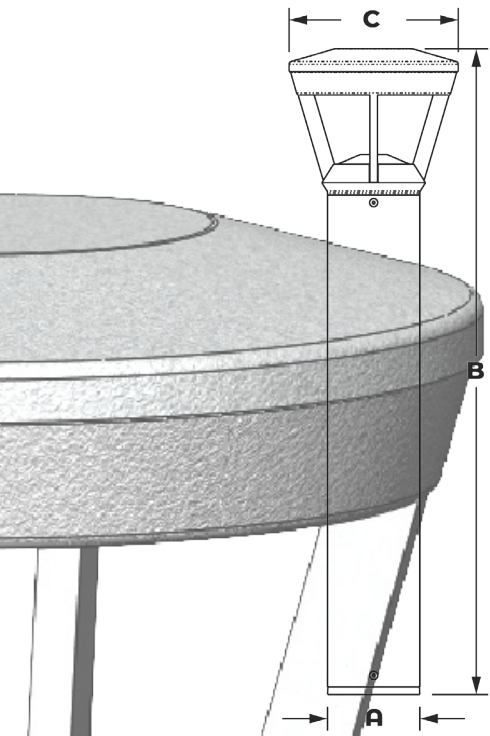
- Extruded Aluminum Body with Cast Aluminum Base, Heavy Gauge Spun Top.
- 3 Mil Powder Coat Finish (Many Finish Available).
- CL- Clear optical System (Standard).
- Silicone Gasket to Prevent Leakage and Provide Weather-Tight Protection
- Mounting: Mounting Kit with(3x) 10" Anchor Bolts Included



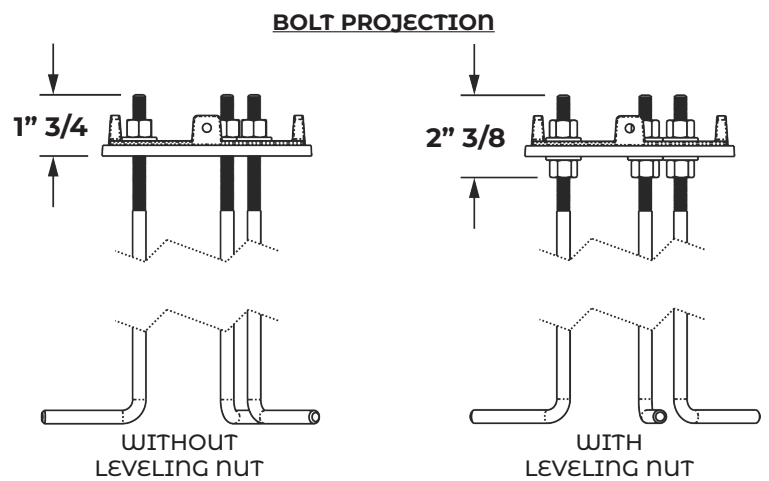
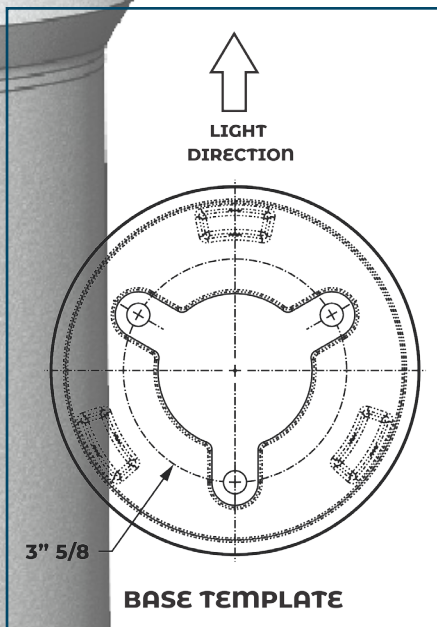
Example: PLSRB-6-42-20CLED-T5-40K-MV-BLK-MWS



Cat #	Dia.	Height	Light Dist.	Light Dist.	Color Temp.	Voltage	Color	Options
Pulsar Bollard (PLSRB)	6" OD. (6)	42" (42)	15W (15CLED)	Type 2 (T2)	3000K (30K)	120-277V (MV)	Black (BLK)	*Micro Wave Sensor (MWS) *Motion Sensor Button Photo Cell (PC) Wireless controls (WC) Vandal Resitant Base (VRB)
		36" (36)	20W (20CLED)	Type 3 (T3)	4000K (40K)	480V (HV)	White (WH)	
		24" (24)	30W (30CLED)	Type 4 (T4)	5000K (50K)		Bronze (BRZ)	
				Type 5 (T5))			Silver (SIL)	
							Graphite (GPH)	
						Marine Grade (MG)		

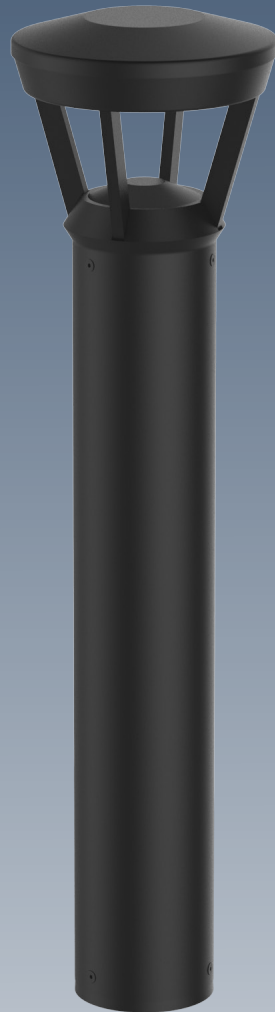


Dimensions			
Cat#	A	B	C
PLSRB	6"	42", 36", or 24"	11"



Cat #	Input Power	Lumen Output	LPW	Color Temp. (CCT)	CRI	Rated Life (L70)	Input Voltage	HID Equivalent
PLSRB-15CLED	20W	2,312	154	5000K	70+	>200,000	120-270V	50/60HZ
PLSRB-20CLED	25W	2,910	145	5000K	70+	>200,000	120-277V	50/60HZ
PLSRB-30CLED	35W	4,201	140	5000K	70+	>200,000	120-277V	50/60HZ
PLSRB-40CLED	45W	5,318	132	5000K	70+	>200,000	120-277V	50/60HZ

Proudly Manufactured and Assembled in the USA



Crystal Lighting
13182 Flores ST.
Santa Fe Springs , CA. 90670
Ph: 562-944-0223
www.crystallighting.us

Proudly manufactured and assembled in the USA