

**CL-304** Half Moon Full Cut Off LED Wall Pack Fixture, Suitable for wet locations, Perfect for lighting up Residential Exteriors, Walkways, Entry Ways, Perimeters, Parking Garages, School Campuses, Industrial/Commercial Spaces.

- Dark sky compliant and up light option.
- 10 year/100,000 hour limited warranty.

**Features**

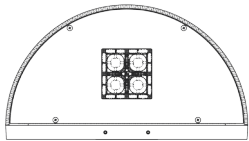
- Energy Savings: Over 66% compared to HID light sources
- Improved lumen maintenance
- Utilizes high efficient Lumiled LED's
- Operating temperatures: -30°C ~ 60°C
- Driver: Cconstant current, 120-277v, 50/60Hz, 480v (Optional)
- Suitable for wet locations
- 0-10 Dimming Driver, Occupancy Sensors or PhotoCell, Emergency Battery Pack(optional)

**Construction**

- Housing is heavy-Duty Aluminum
- 3 Mil Powder Coat Finish.
- Clear Optical System
- Silicone gasket to prevent leakage and provide weather-tight protection.
- Mounting: Over 4" "J" Box.

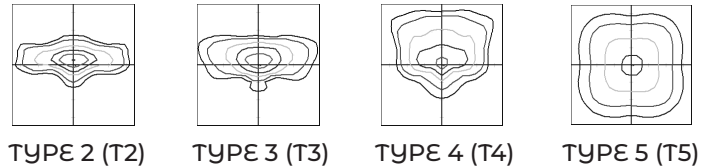


**UP/DOWN LIGHT (Option)**

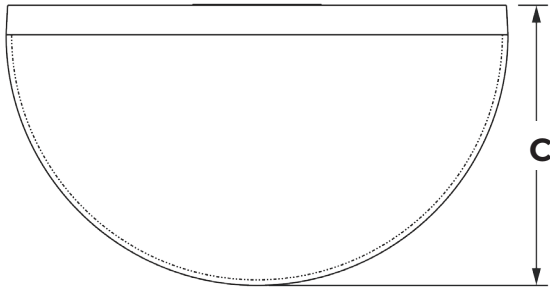
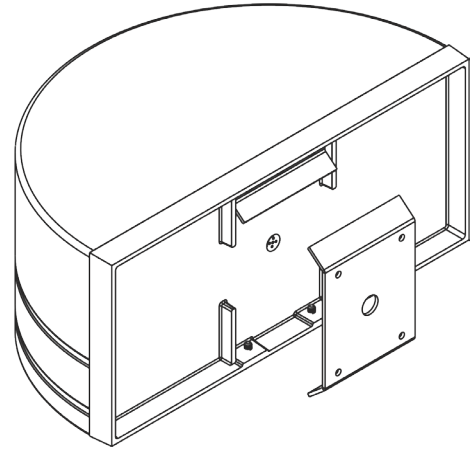
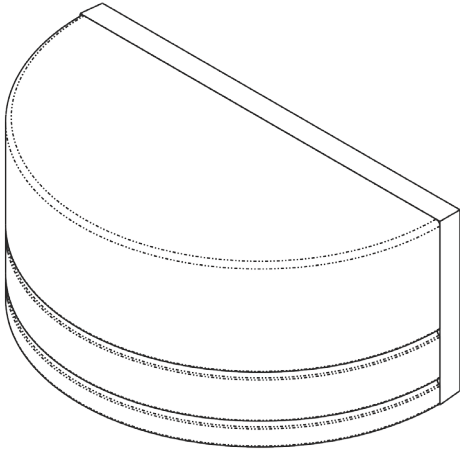


Example: CL-304-D-20CLED-T2-40K-MV-BZ-PC

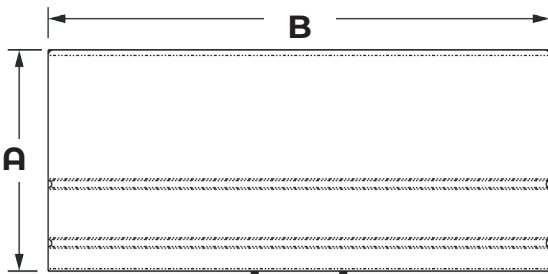
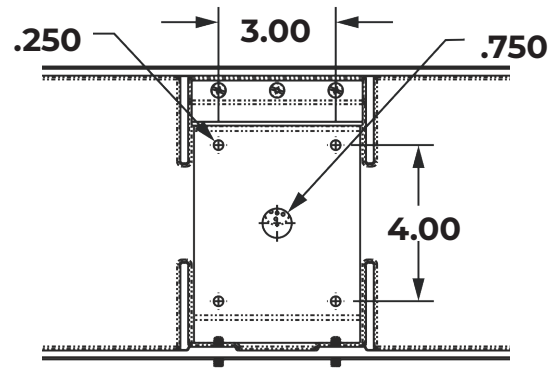
**OPTIC DISTRIBUTION**



Cat #	Light	Wattage	Light Dist.	Color Temp.	Voltage	Finish	Options
CL-304	Down Light (D)	20W (20CLED)	Type 2 (T2)	3000K (30K)	120-277V (MV)	Black (BLK)	Motion Sensor (OCC)
	-----	40W (40CLED)	Type 3 (T3)	4000K (40K)	480V (HV)	White (WHT)	Button Photo Cell (PC)
	*Up/ Down Light (UD)	50W (50CLED)	Type 4 (T4)	5000K (50K)		Silver (SLR)	Wireless controls (WC)
	*Up Light 10W or 20W MAX	-----	Type 5 (T5)			Bronze (BRZ)	Emergency Battery Pack (EMR)
		Up Light 10W				Graphite (GPH)	
	20W				Custom (CST)		



**Mounting Dimensions**



Dimensions				
Cat#	A	B	C	εPA
CL-304	7.50	17"	9.5	.88

Cat #	Input Power	Lumen Output	LPW	Color Temp. (CCT)	CRI	Rated Life (L70)	Input Voltage	HID Equivalent
CL-304-20CLED	25W	2,958	147	5000K	70+	>200,000	120-277V	70W MH
CL-304-40CLED	45W	5,449	136	5000K	70+	>200,000	120-277V	150W HPS
CL-304-50CLED	55W	6,589	131	5000K	70+	>200,000	120-277V	150W MH

Proudly Manufactured and Assembled in the USA