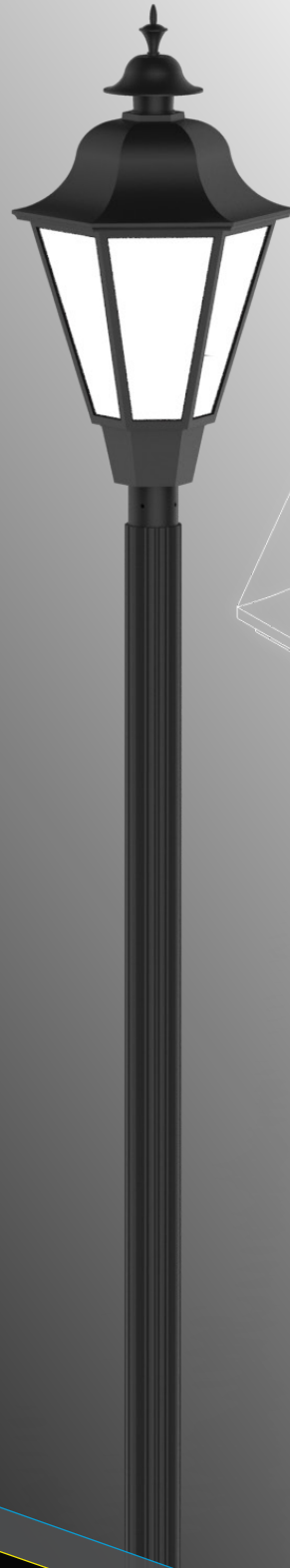


**CLP-m67**  
Area LED Lighting  
DESIGN-FUNCTION-QUALITY



*Crystal Lighting Corp.*





**CLP-M67** Architectural LED Post Top Luminaire forms a sophisticated and traditional ambience. The **CLP-M67** is suitable for outdoor, wet locations. It is essential for illuminating residential exteriors, walkways, perimeters, school campuses, commercial spaces, parking lots, and recreational parks. This fixture is available in Type 3 and Type 5 light distribution options.

**Warranty:**

-10 year/100,000 hour Limited Warranty.

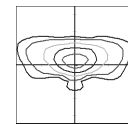
**Features:**

- Energy Savings: Over 66% compared to HID light sources.
- Improved Lumen Maintenance.
- Utilizes High efficient Lumiled LED's.
- Operating Temperatures: -30°C ~ 60°C.
- Driver: 120-277V (MV) or 480V (HV) (Optional).
- IP65 / IP67 Rated.
- 0-10 Dimming Driver, Occupancy Sensors, Photo Cell or Wireless Controls (Optional)

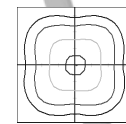
**Construction:**

- Corrosion-Resistant Cast Aluminum Housing
- 3 Mil Powder Coat Finish.
- Frosted Acrylic Lens (Standard)
- Silicone Gasket to provide Weather-Tight Protection (IP65).
- Mounting: Over of a 3" Pole or Tenon (Adapter is required for other mountings Options)

**Optic Distribution.**



Type 3 (T3)

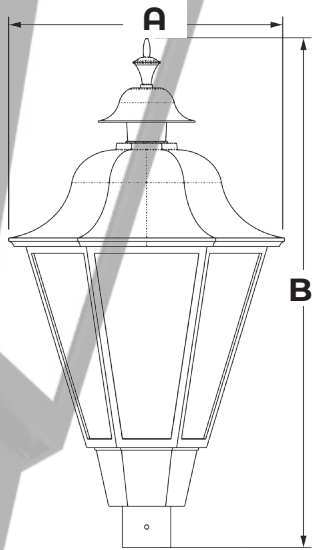
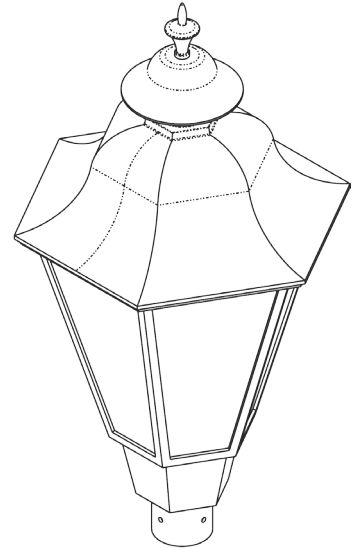
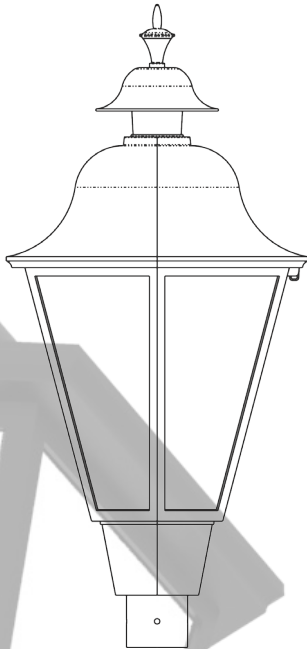


Type 5 (T5)

Example: CLP-M67-20CLEd-T3-40K-MV-BRZ-3OD-OCC



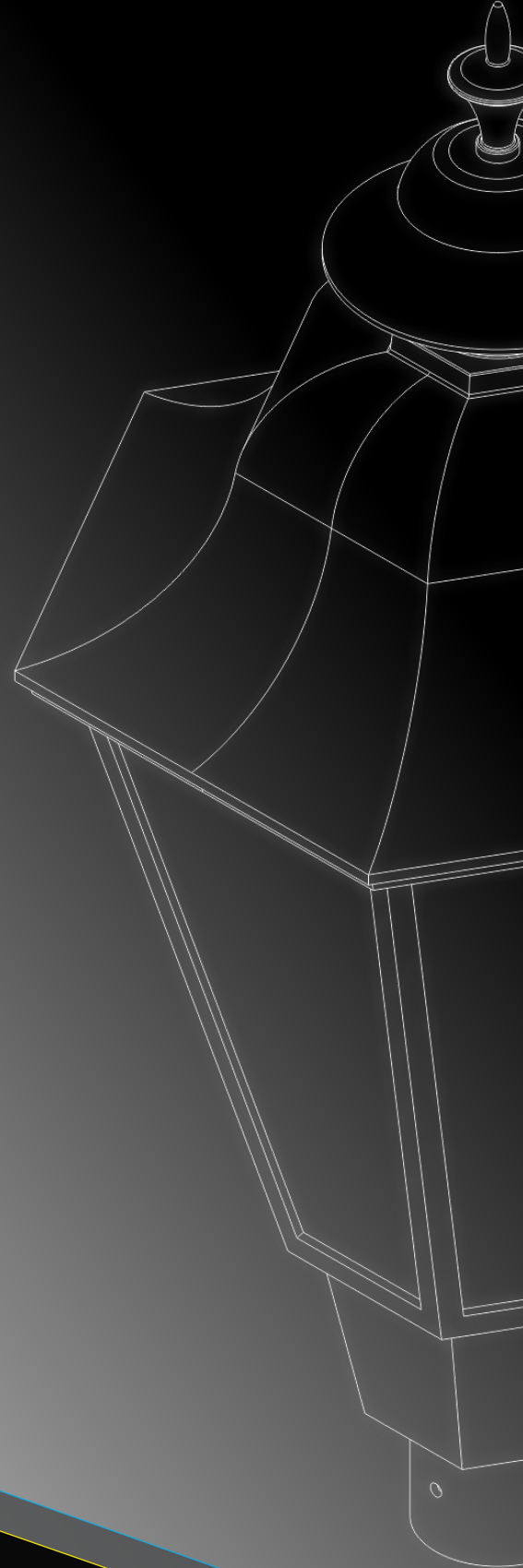
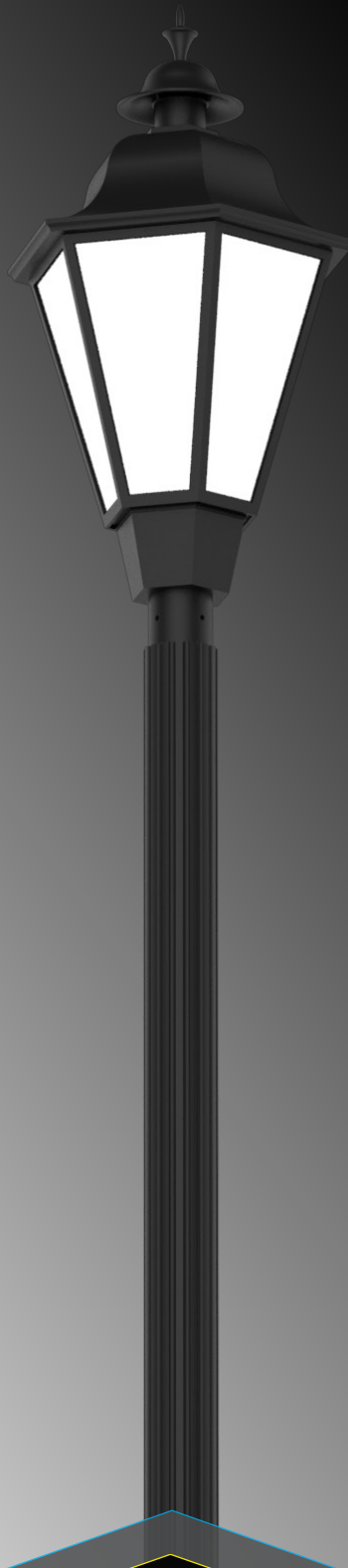
CLP-M67							
Cat #	Wattage	Light Dist.	Color Temp.	Voltage	Color	Mounting	Options
CLP-M67 <b>(CLP-M67)</b>	20W <b>(20CLEd)</b> 40W <b>(40CLEd)</b> 60W <b>(60CLEd)</b> 80W <b>(80CLEd)</b>	Type 3 <b>(T3)</b> Type 5 <b>(T5)</b>	3000K <b>(30K)</b> 4000K <b>(40K)</b> 5000K <b>(50K)</b>	120-277V <b>(MV)</b> 480V <b>(HV)</b>	Black <b>(BLK)</b> White <b>(WH)</b> Bronze <b>(BRZ)</b> Silver <b>(SIL)</b> Graphite <b>(GPH)</b> Marine Grade <b>(MG)</b>	Post Top 3" OD <b>(3RD)</b>	Button Photo Cell <b>(PC)</b> Wireless controls <b>(WC)</b> House Side Shield <b>(HSS)</b>



IO-Dimensions			
Cat#	A	B	EPA
CLP-M67	20"	37"	

Cat #	Input Power	Lumen Output	LPW	Color Temp. (CCT)	CRI	Rated Life (L70)	Input Voltage	HID Equivalent	HID Equivalent
CLP-M67-20CLED	25W	3,120	156	5000K	70+	>200,000	120-277V	50/60HZ	100W MH
CLP-M67-40CLED	45W	5,475	136	5000K	70+	>200,000	120-277V	50/60HZ	150W MH
CLP-M67-60CLED	65W	8,784	146	5000K	70+	>200,000	120-277V	50/60HZ	175W MH
CLP-M67-80CLED	85W	10,841	135	5000K	70+	>200,000	120-277V	50/60HZ	175W MH

Proudly Manufactured and Assembled in the USA



Crystal Lighting  
13182 Flores ST.  
Santa Fe Springs , CA. 90670  
Ph: 562-944-0223  
[www.crystallighting.us](http://www.crystallighting.us)

Proudly manufactured and assembled in the USA