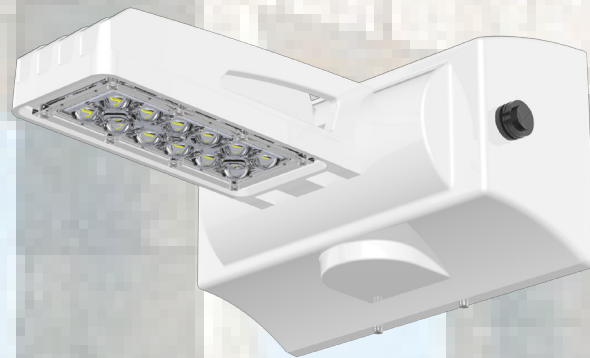
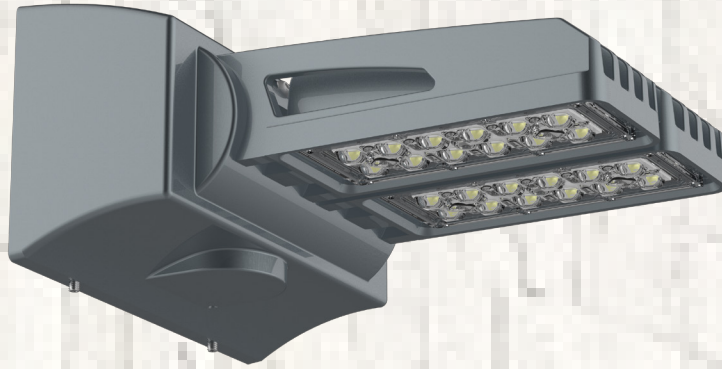


IRI-X Wall Mount

Wall Pack LED Luminaire
DESIGN-FUNCTION-QUALITY



Crystal Lighting Corp.





IRI-XWM LED Wall Mount Fixture, Low Profile, External and Dedicated Heat Sink designed to provide the best thermal dissipation. Optical System Designed for architectural building, School Campuses, Storage Areas, Parking Lots, Recreational Parks. **IRI-XWM** LED Luminaire has a wide Light Distribution.

Warranty:

- 10 year/100,000 hour Limited Warranty.
- Dark Sky Compliant.

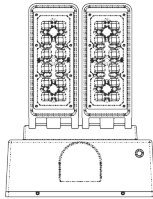
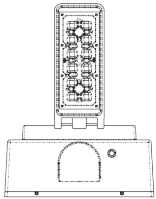
Features:

- Energy Savings: Over 66% compared to HID light sources.
- Improved Lumen Maintenance.
- Utilizes High efficient Lumiled LED's.
- Operating Temperatures: -30°C ~ 60°C.
- Driver: 120-277V (MV) or 480V (HV) (Optional).
- IP65 / IP67 Rated.
- 0-10 Dimming Driver, Occupancy Sensors, Photo Cell or Wireless Controls (Optional)

Construction:

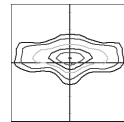
- Corrosion-Resistant Aluminum Housing
- 3 Mil Powder Coat Finish.
- CL-Optical System IP67 Rated LED Engine Protection(Standard)
- Silicone Gasket to provide Weather-Tight Protection Enclosure (IP66 Rated).
- Mounting: Wall Mount

Optic Distribution.

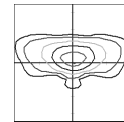


IRI-X1WM

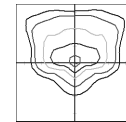
IRI-X2WM



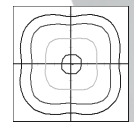
Type 2 (T2)



Type 3 (T3)



Type 4 (T4)



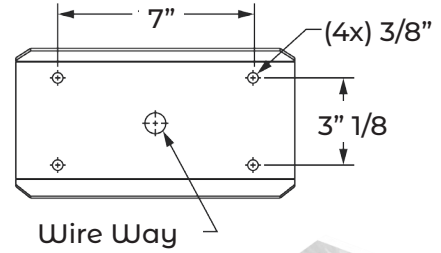
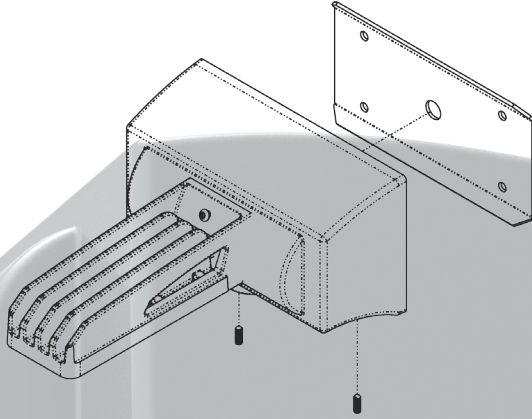
Type 5 (T5)



Example: IRI-X1WM-60CLED-T2-40K-MV-BRZ-OCC-EMR

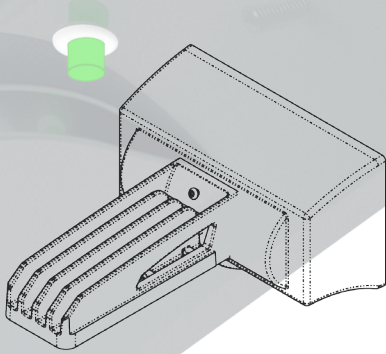
IRI- Cat #	Wattage	Light Dist.	Color Temp.	Voltage	Color	Options
IRI-X1WM (IR-X1WM)	20W (20CLED)	Type 2 (T2)	3000K (30K)	120-277V (MV)	Black (BLK)	Occupancy Sensor (OCC)
	40W (40CLED)	Type 3 (T3)	4000K (40K)	480V (HV)	White (WH)	Emergency Battery (EMR)
	60W (60CLED)	Type 4 (T4)	5000K (50K)		Bronze (BRZ)	Button Photo Cell (PC)
-----	-----	Type 5 (T5)			Silver (SIL)	Wireless controls (WC)
IRI-X2-WM (IR-X2WM)	80W (80CLED)				Graphite (GPH)	
	100W (100CLED)				Marine Grade (MG)	
	120W (120CLED)					

Mounting

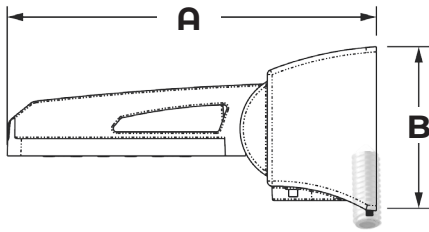
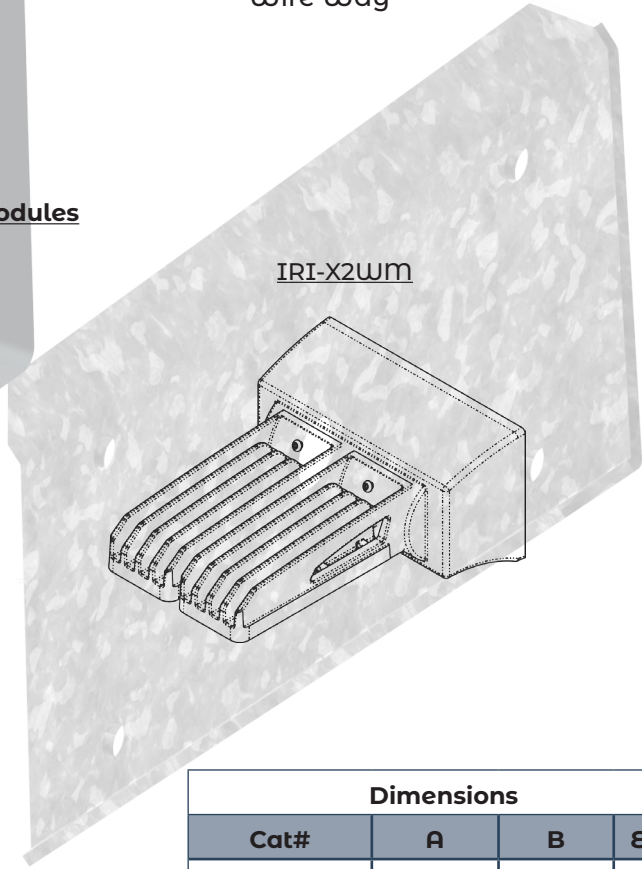


IRI-X Modules

IRI-X1Wm



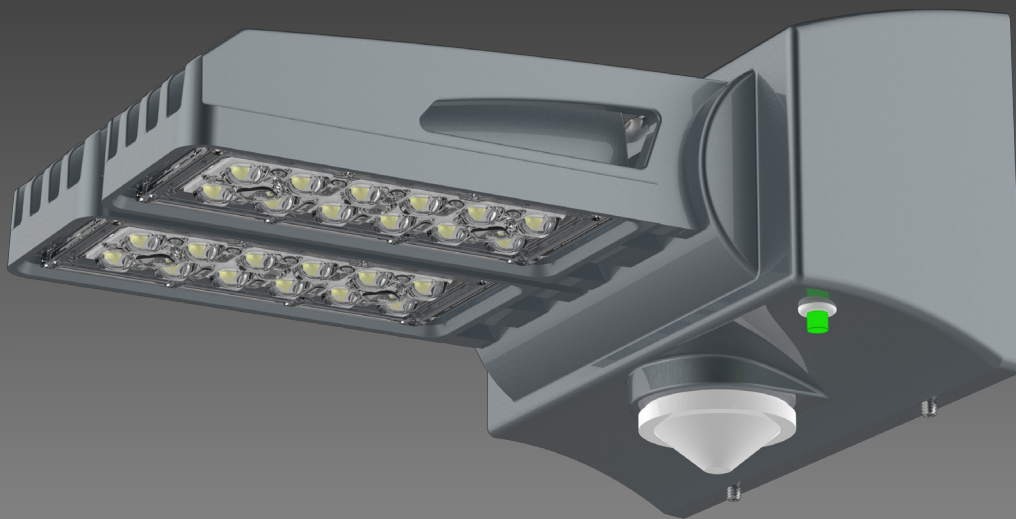
IRI-X2Wm



Dimensions			
Cat#	A	B	εPA
IRI-XWm	13" 1/2	6"	0.3

Cat #	Input Power	Lumen Output	LPW	Color Temp. (CCT)	CRI	Rated Life (L70)	Input Voltage	HID Equivalent	HID Equivalent
IR-X1Wm-20CLED	25W	3,120	156	5000K	70+	>200,000	120-277V	50/60HZ	100W MH
IR-X1Wm-40CLED	45W	5,475	136	5000K	70+	>200,000	120-277V	50/60HZ	150W MH
IR-X1Wm-60CLED	65W	8,784	146	5000K	70+	>200,000	120-277V	50/60HZ	175W MH
IR-X2Wm-80CLED	85W	10,841	135	5000K	70+	>200,000	120-277V	50/60HZ	175W MH
IR-X2Wm-100CLED	105W	12,997	129	5000K	70+	>200,000	120-277V	50/60HZ	250W MH
IR-X2Wm-120CLED	125W	17568	140	5000K	70+	>200,000	120-277V	50/60HZ	400W PSMH

Proudly Manufactured and Assembled in the USA



Crystal Lighting
13182 Flores ST.
Santa Fe Springs , CA. 90670
Ph: 562-944-0223
www.crystallighting.us

Proudly manufactured and assembled in the USA

r1